



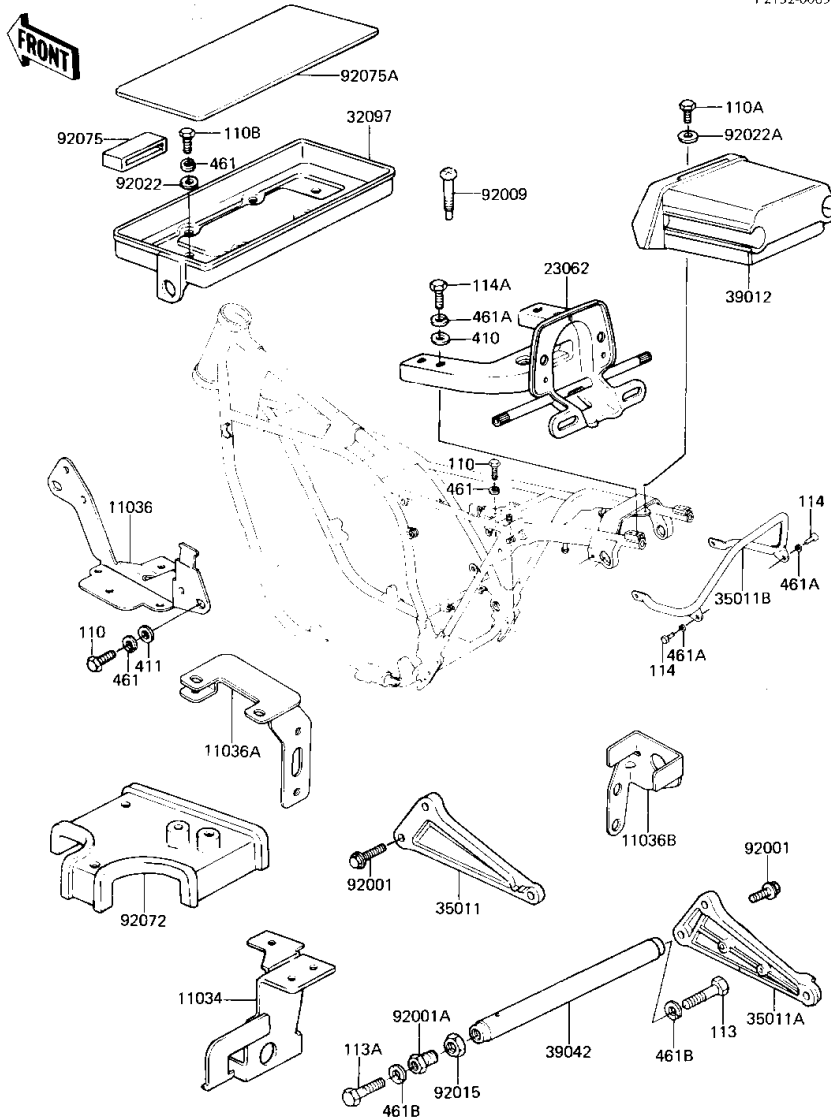
## Part List

KZ1300-A4 / AIR CLEANER

REF NUMBER	PART NUMBER	DESCRIPTION	QUANTITY	US	CA	CN	REMARKS
110	112G0616	BOLT-UPSET,6X16	2				
220	220B0612	SCREW PAN HEAD 6X12	2				
220A	220B0620	SCREW PAN HEAD 6X20	2				
220B	220B0655	SCREW PAN HEAD 6X55	2				
410	410B0600	WASHER PLAIN 6MM	2				
411	411B0600	WASHER PLAIN 6MM	4				
461	461F0600	WASHER SPRING 6MM	2				
702	702A06110	TUBE-RUBBER,6X110	1				
11009	11009-1097	GASKET,BREATHER PIPE	1				
11011	11011-1021	CASE,AIR CLEANER,FRNT	1	X			US
11011A	11011-1022	CASE,AIR CLEANER LOWR	1				
11011B	11011-1023	CASE,AIR CLEANER,REAR	1				
11011C	11011-1098	CASE,AIR CLEANER,FR	1			X	CN
11012	11012-1062	CAP,AIR CLEANER	1				
11013	11013-1014	ELEMENT,AIR CLNR	1				
11034	11034-1561	BRACKET,FUEL VALVE	1				
14073	14073-1015	DUCT,AIR CLEANER	3				
16126	16126-1015	VALVE ASSY,AIR SWITNG	1	X			US
32032	32032-1199	PIPE,BREATHER	1				
36001	36001-1121	COVER-SIDE AR FLTR,LH	1				
36001A	36001-1122	COVER SIDE AR FLTR RH	1				
92001	92001-1140	BOLT,6X25,W/WASHER	2				
92005	92005-1017	FITTING,TUBE	1	X			US
92027	92027-120	COLLAR 6.8X10X10.5	2				
92037	92037-072	CLAMP-PIPE	6	X			US
92037A	92037-213	CLAMP,BREATHER TUBE	8	X		X	CN US, CN US
92059	92059-1162	TUBE,VACUUM,LONG	1	X			US
92059A	92059-1053	TUBE,BREATHER PIPE	1				
92059B	92059-1058	TUBE,4X5X100,VACUUM	2	X			US
92059C	92059-1076	TUBE,SWITCH VALVE,L.H	1	X			US
92059D	92059-1077	TUBE,SWITCH VALVE,R.H	1	X			US
92059E	92059-1078	TUBE,SWITH VALVE,CLNR	1	X			US
92066	92074-028	PLUG,RUBBER	2				
92075	92075-1124	DAMPER,AIR CLEANER	2				
92075A	92075-1126	DAMPER,CLEANER COVER	5				
92075B	92075-1195	DAMPER,AIR SWITCHNG,V	1	X			US
92081	92081-1150	SPRING,CLEANER DUCT	3				
92093	92093-1025	SEAL,CLEANER LWR CASE	1				

KZ1300-A4 / BATTERY CASE/ELECTRO BRACKET

F.2152-0069



Illustrations (c) 1966-2003 Kawasaki Motors Corp., U.S.A. All rights reserved.

Illustration (c) 1966-2009 Kawasaki Motors Corp., U.S.A. All rights reserved

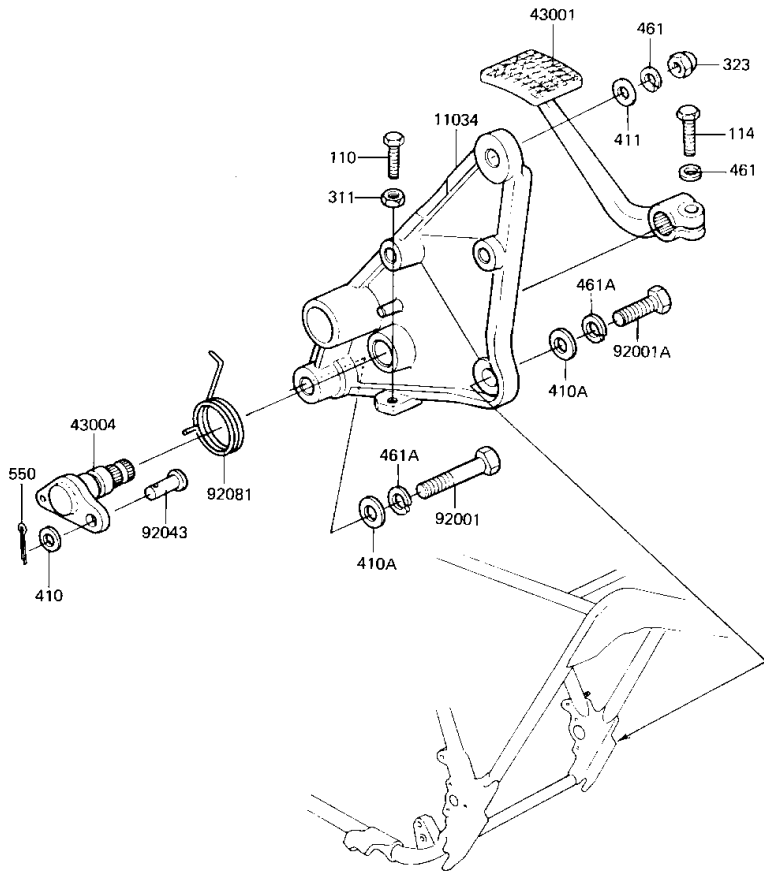
## Part List

KZ1300-A4 / BATTERY CASE/ELECTRO BRACKET

REF NUMBER	PART NUMBER	DESCRIPTION	QUANTITY	US	CA	CN	REMARKS
110	112G0612	BOLT-UPSET,6X12	5				
110A	112B0614	BOLT-UPSET 6X14	1				
110B	112G0616	BOLT-UPSET,6X16	2				
113	113G1025	BOLT,HEX HEAD,10X25	1				
113A	112G1030	BOLT-UPSET,10X30	1				
114	115B0814	BOLT-SMALL-UPSET,8X14	2				
114A	115G0816	BOLT-SMALL-UPSET,8X16	4				
410	410B0800	WASHER PLAIN 8MM	4				
411	411B0600	WASHER PLAIN 6MM	3				
461	461F0600	WASHER SPRING 6MM	7				
461A	461F0800	WASHER SPRING 8MM	6				
461B	461F1000	WASHER SPRING 10MM	2				
11034	11034-1316	BRACKET,BASE	1				
11036	11036-1478	BRACKET,MAIN REGULATO	1				
11036A	11036-1479	BRACKET,SUB REGULATOR	1				
11036B	11036-1480	BRACKET,WARNER	1				
23062	23062-1003	BRACKET,ASSY	1				
32097	32097-1015	CASE,BATTERY	1				
35011	35011-1019	STAY,MUFFLER,L.H	1				
35011A	35011-1020	STAY,MUFFLER,R.H	1				
35011B	35011-1070	STAY,REAR	1				
39012	39012-1001	CASE,STORAGE	1				
39042	39042-1001	CROSSMEMBER	1				
92001	92001-1095	BOLT,8X28	4				
92001A	92001-1216	BOLT,CROSSMEMBER FITT	1				
92009	92009-1042	SCREW,6X38	1				
92015	92015-1086	NUT,CROSSMEMBER FITTI	1				
92022	92022-125	WASHER 6.5X20X1.6T	2				
92022A	92022-237	WASHER 6.5X22X1.6T	1				
92072	92072-1021	BAND,BATTERY	1				
92075	92075-1099	DAMPER,BATTERY	1				
92075A	92075-1105	DAMPER,BATTERY	1				

KZ1300-A4 / BRAKE PEDAL

F2260-0084



Illustrations (c) 1966-2003 Kawasaki Motors Corp., U.S.A. All rights reserved.

Illustration (c) 1966-2009 Kawasaki Motors Corp., U.S.A. All rights reserved

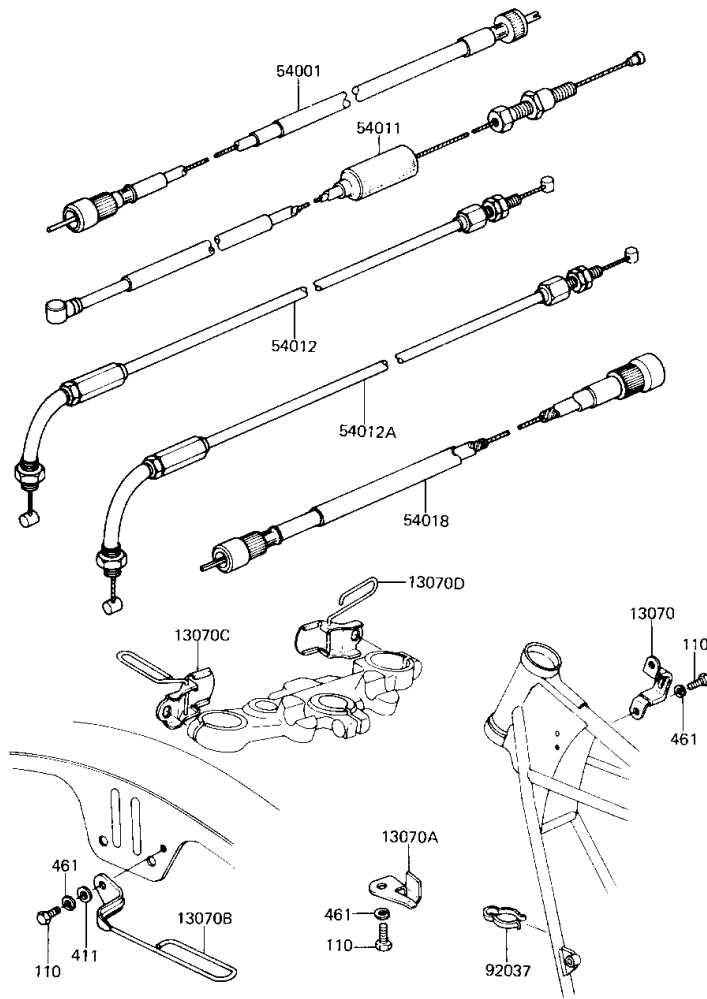
## Part List

KZ1300-A4 / BRAKE PEDAL

REF NUMBER	PART NUMBER	DESCRIPTION	QUANTITY	US	CA	CN	REMARKS
110	112B0622	BOLT 6X22	1				
114	115G0825	BOLT-SMALL-UPSET 8X25	1				
311	311B0600	NUT 6MM	1				
323	323N0800	NUT,CAP,8M/M	1				
410	410B0600	WASHER PLAIN 6MM	1				
410A	410B1000	WASHER PLAIN 10MM	2				
411	411B0800	WASHER PLAIN 8MM	1				
461	461F0800	WASHER SPRING 8MM	2				
461A	461F1000	WASHER SPRING 10MM	2				
550	550D2020	PIN COTTER 2.0X20	1				
11034	11034-1263	BRACKET,BRAKE PEDAL	1				
43001	43001-1024	PEDAL,BRAKE	1				
43004	43004-1006	SHAFT,BRAKE	1				
92001	92007-029	BOLT-HEX HEAD,10X46	1				
92001A	92007-045	BOLT,HEX HEAD,10X25	1				
92043	92043-107	PIN RR BRAKE CABLE	1				
92081	92081-1088	SPRING,BRAKE PEDAL RT	1				

KZ1300-A4 / CABLES

F2540-0113



Illustrations (c) 1966-2003 Kawasaki Motors Corp., U.S.A. All rights reserved.

Illustration (c) 1966-2009 Kawasaki Motors Corp., U.S.A. All rights reserved

## Part List

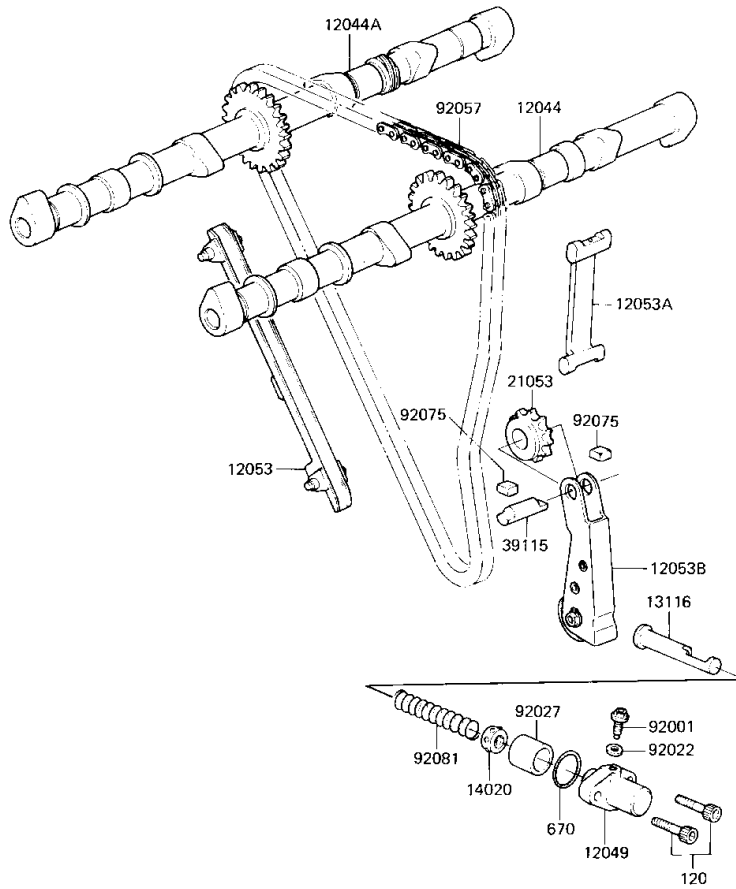
KZ1300-A4 / CABLES

REF NUMBER	PART NUMBER	DESCRIPTION	QUANTITY	US	CA	CN	REMARKS
110	112G0612	BOLT-UPSET,6X12	4				
411	411B0600	WASHER PLAIN 6MM	1				
461	461F0600	WASHER SPRING 6MM	4				
13070	13070-1012	GUIDE,TACHOMETER CABL	1				
13070A	13070-1013	GUIDE,CLUTCH CABLE	1				
13070B	13070-1015	GUIDE,SPEEDOMETER	1				
13070C	13070-1016	GUIDE,CLUTCH CABLE	1				
13070D	13070-1017	GUIDE,THROTTLE CABLE	1				
54001	54001-1013	CABLE,SPEEDOMETER	1				
54011	54011-1139	CABLE-CLUTCH	1				
54012	54012-1027	CABLE,THROTTLE	1				
54012A	54012-1028	CABLE,THROTTLE	1				
54018	54018-1005	CABLE,TACHOMETER	1				
92037	92037-093	CLAMP,CABLE	1				



KZ1300-A4 / CAMSHAFTS/CHAIN/TENSIONER

E1230-0025



Illustrations (c) 1966-2003 Kawasaki Motors Corp., U.S.A. All rights reserved.

Illustration (c) 1966-2009 Kawasaki Motors Corp., U.S.A. All rights reserved

## Part List

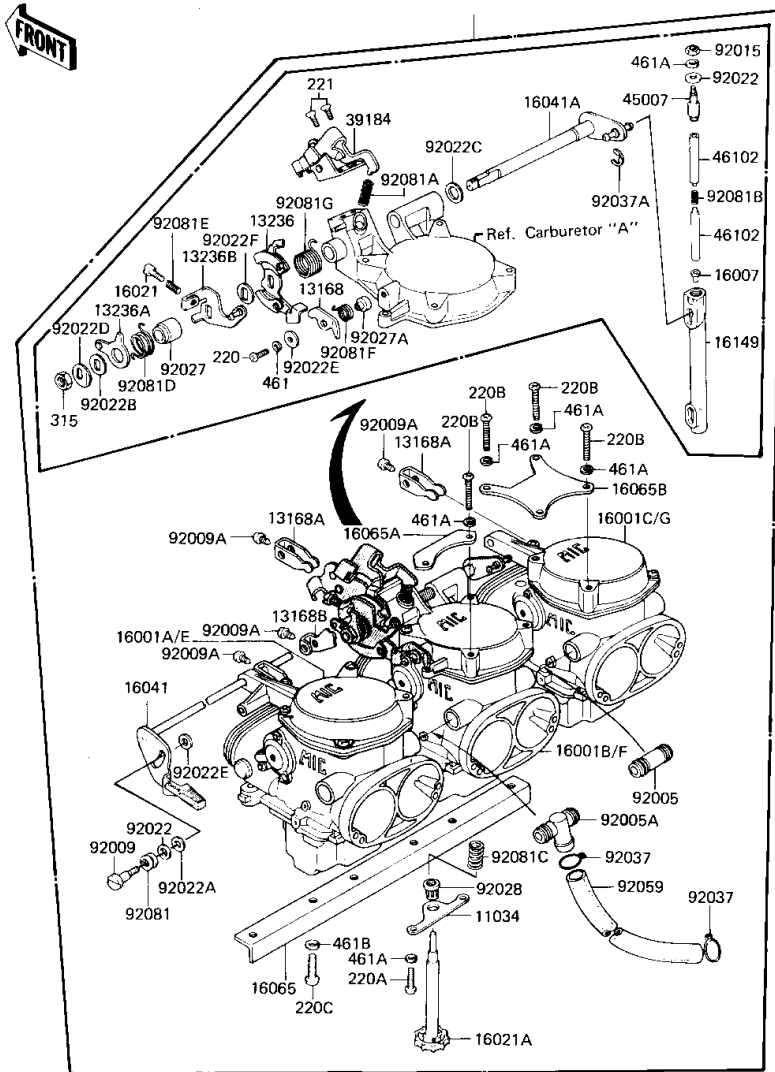
KZ1300-A4 / CAMSHAFTS/CHAIN/TENSIONER

REF NUMBER	PART NUMBER	DESCRIPTION	QUANTITY	US	CA	CN	REMARKS
120	120P0625	BOLT,6X25	2				
670	670B2022	"O" RING,22MM	1				
12044	12044-1012	CAMSHAFT,VALVE,INTAKE	1				
12044A	12044-1013	CAMSHAFT,VALVE,EXHUST	1				
12049	12049-1055	TENSIONER,CAM CHAIN	1				
12053	12053-1024	GUIDE,CHAIN,CAM,FRONT	1				
12053A	12053-1025	GUIDE,CHAIN,CAM,REAR	1				
12053B	12053-1028	GUIDE,CHAIN,TENSIONER	1				
13116	13116-1015	ROD,PUSH	1				
14020	14020-1002	RETAINER	1				
21053	21053-1004	SPROCKET,CAM CHAIN	1				
39115	12052-005	SHAFT,GUIDE ROLLER	1				
92001	92001-1155	BELT,TENSIONER ADJUST	1				
92022	92022-077	WASHER OIL PUMP BANJO	1				
92027	92027-1273	COLLAR,TENSIONER	1				
92057	92057-1018	CHAIN,CAMSHAFT	1				
92075	92075-232	RUBBER,GUIDE ROLLAR	2				
92081	92081-1105	SPRING,TENSIONER	1				

KZ1300-A4 / CARBURETOR ASSY

16001/D

E1611-0074



Illustrations (c) 1966-2003 Kawasaki Motors Corp., U.S.A. All rights reserved.

Illustration (c) 1966-2009 Kawasaki Motors Corp., U.S.A. All rights reserved

## Part List

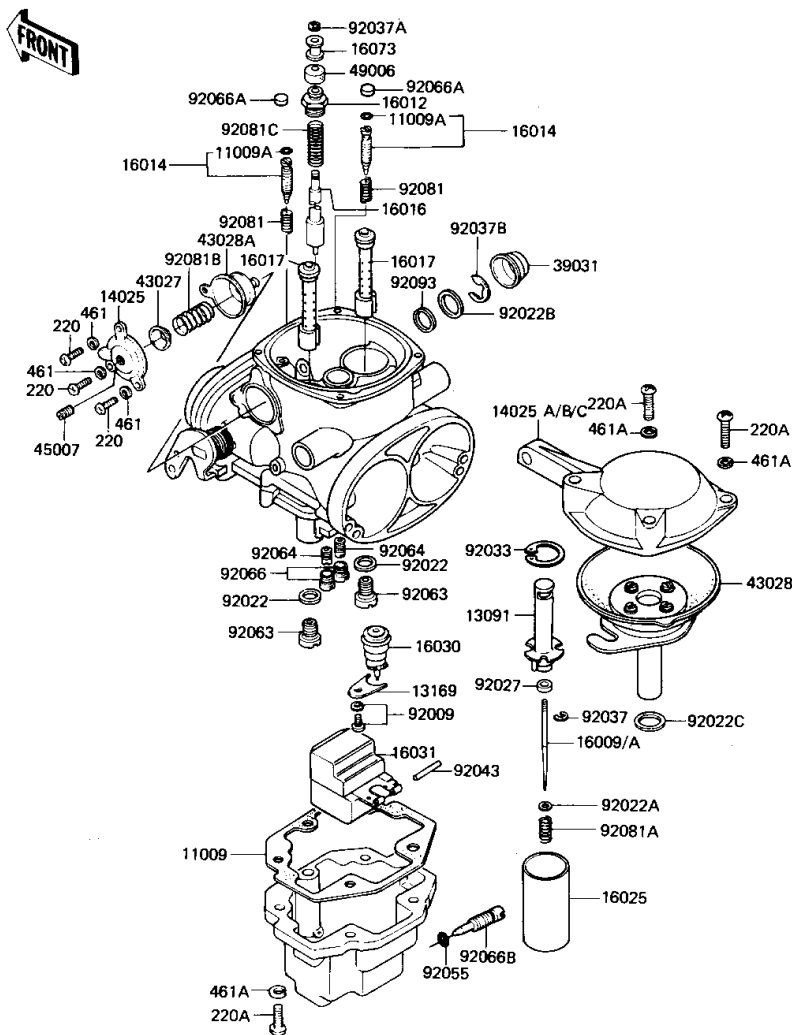
KZ1300-A4 / CARBURETOR ASSY

REF NUMBER	PART NUMBER	DESCRIPTION	QUANTITY	US	CA	CN	REMARKS
220	220B0416	SCREW PAN HEAD 4X16	1				
220A	220B0518	SCREW PAN HEAD 5X18	2				
220B	220B0530	SCREW PAN HEAD 5X30	8				
220C	220B0612	SCREW PAN HEAD 6X12	6				
221	221B0510A	SCREW CNTSNK HD 5X10	2				
315	315G0800	NUT,8 M/M	1				
461	461F0400	WASHER SPRING 4MM	1				
461A	461F0500	WASHER SPRING 5MM	13				
461B	461F0600	WASHER SPRING 6MM	6				
11034	11034-1514	BRACKET,THRT STP SCRW	1				
13168	13168-1043	LEVER,THRTTL STP SCRW	1				
13168A	13168-1044	LEVER,STARTER PLUNGER	3				
13168B	13168-1045	CAM,CHOCK LINK	1				
13236	13236-1016	PULLY,THROTTLE CABLE	1				
13236A	13236-1017	LEVER,CHOCK LINK	1				
13236B	13236-1018	LEVER,THROTTLE	1				
16001	16001-1211	CARBURETOR ASSY	1	X			US
16001A	16001-1247	CARBURETOR,L.H	1	X			US
16001B	16001-1248	CARBURETOR,CENTER	1	X			US
16001C	16001-1249	CARBURETOR,R.H	1	X			US
16001D	16001-1262	CARBURETOR ASSY (Canada)	1			X	CN
16001E	16001-1263	CARBURETOR,L.H (Canada)	1			X	CN
16001F	16001-1264	CARBURETOR,CENTER (Canada)	1			X	CN
16001G	16001-1265	CARBURETOR,R.H (Canada)	1			X	CN
16007	16057-002	SEAT,SPRING	3				
16021	16021-020	ADJUSTER,THROTTLE LEV	1				
16021A	16021-1013	SCREW,THROTTLE STOP	1				
16041	16041-1006	SHAFT,STARTER PLUNGER	1				
16041A	16041-1007	SHAFT,THROTTLE LEVER	1				
16065	16065-1021	PLATE,STAY	1				
16065A	16065-1022	STAY,CARBURETOR HEAD	1				
16065B	16065-1023	STAY,CARBURETOR HEAD	1				
16149	16149-1006	ROD THROTTLE	3				
39184	39184-1002	BRACKET,THRTTL PULLY	1				
45007	45007-1002	SCREW	3				
46102	46102-1008	PIN	6				
92005	92005-1018	NIPPLE,FUEL	1				
92005A	92005-1019	FITTING,FUEL HOSE	1				
92009	16046-005	SCREW	1				
92009A	16046-007	SCREW,PAN HEAD,5X7	4				
92015	16003-013	NUT,5MM	3				
92022	16039-020	WASHER,PLAIN	4				
92022A	92022-1147	WASHER,PLAIN,DURACON	1				
92022B	92022-1148	WASHER,PLAIN	1				
92022C	92022-1149	WASHER,PLAIN,DURACON	1				
92022D	92022-1151	WASHER,LOCK	1				
92022E	92022-1152	WASHER,PLAIN	2				
92022F	92022-1153	WASHER,PLAIN	1				
92027	92027-1201	COLLAR,CHOCK LINK	1				
92027A	92027-1203	COLLAR,STEPPED	1				
92028	92028-1071	BUSHING	1				
92037	92037-1184	CLAMP,HOSE	2				
92037A	92037-1139	CIRCLIP,ROCKER ARM	1				
92059	92059-1123	TUBE,7.5X12.5X225	1				
92081	16040-009	SPRING,F	1				
92081A	16040-022	SPRING,CABLE PULLY	1				
92081B	16040-026	SPRING	3				
92081C	92081-1155	SPRING,THRTL STP SCRW	1				
92081D	92081-1157	SPRING,CHOCK LINK	1				
92081E	92081-1160	SPRING,ADJUSTER SCREW	1				

92081F	92081-1161	SPRING,THRT STP LEVER	1					
92081G	92081-1162	SPRING,THRRTL PULLY	1					

KZ1300-A4 / CARBURETOR PARTS

E1612-0037



Illustrations (c) 1966-2003 Kawasaki Motors Corp., U.S.A. All rights reserved.

Illustration (c) 1966-2009 Kawasaki Motors Corp., U.S.A. All rights reserved

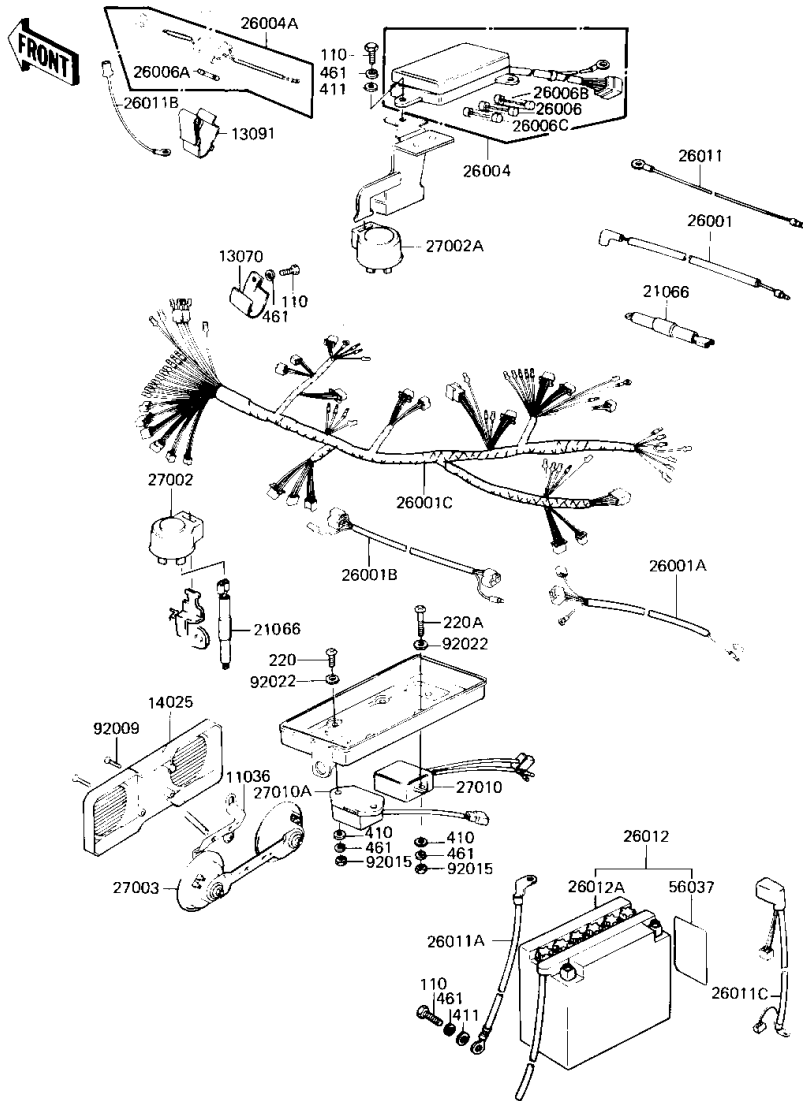
## Part List

KZ1300-A4 / CARBURETOR PARTS

REF NUMBER	PART NUMBER	DESCRIPTION	QUANTITY	US	CA	CN	REMARKS
220	220B0410	SCREW PAN HEAD 4X10	9				
220A	214B0516A	SCREW-5X16	14				
461	461F0400	WASHER SPRING 4MM	9				
461A	461F0500	WASHER SPRING 5MM	14				
11009	11009-1148	GASKET,FLOAT CHAMBER	3				
11009A	16038-022	"O" RING	6				
13091	13091-1056	HOLDER,PISTON VALVE	6				
13169	13169-1190	PLATE, LOCK	3				
14025	14025-1158	COVER,COASTING RICHER	3				
14025A	14025-1159	TOP,MXNG CHAMBER,L.H.	1				
14025B	14025-1160	TOP,MXNG CHAMBER,CENT	1				
14025C	14025-1161	TOP,MXNG CHAMBER,R.H.	1				
16009	16009-1038	JET NEEDLE,5P3 (Canada)	6			X	CN
16009A	16009-1050	JET NEEDLE,5P4	6	X			US
16012	16012-1005	CAP,STARTER PLUNGER	3				
16014	16014-1016	SCREW,PILOT ADJUSTING	6				
16016	16016-1005	PLUNGER,STARTER	3				
16017	16017-1038	NEEDLE JET,Y-8	6				
16025	16025-1029	VALVE,PISTON	6				
16030	16030-1005	FLOAT VALVE ASSY	3				
16031	16031-1006	FLOAT	3				
16073	16073-014	COLLAR	3				
39031	39031-1002	CAP,STEEL	2				
43027	43027-1004	RETAINER,DPHRGM SPRNG	3				
43028	43028-1014	DIAPHRAGM ASSY,VACUUM	3				
43028A	43028-1017	DIAPHRAGM,RICHER	3				
45007	45007-1001	SCREW,SLOTTED	3				
49006	16036-017	RUBBER CAP,STARTER PL	3				
92009	16033-014	SCREW-CLAMP	3				
92022	16034-001	WASHER MAIN JET	6				
92022A	92022-1123	WASHER,JET NEEDLE	6				
92022B	92022-1150	WASHER,PLAIN	3				
92022C	92022-1155	WASHER,PLAIN,DURACON	3				
92027	92027-11	UNAVAILABLE IN PRICE BOOK	6				
92033	92033-1009	CIRCLIP	6				
92037	16008-014	CIRCLIP	6				
92037A	16076-003	CIRCLIP	3				
92037B	92037-1140	CIRCLIP	3				
92043	16032-003	FLOAT PIN	3				
92055	92055-044	"O" RING	3				
92063	92063-1038	MAIN JET,#110R	6				
92064	92064-1024	PILOT JET,#42.5	6				
92066	92066-1044	SCREW,HOLE PLUG	6				
92066A	92066-1051	PLUG,PILOT SCREW	6	X			US
92066B	92066-1064	SCREW,DRAIN	3				
92081	16022-016	SPRING,PILOT SCREW	6				
92081A	92081-1126	SPRING,JET NEEDLE	6				
92081B	92081-1156	SPRING,RICHER DPHRGM	3				
92081C	92081-1163	SPRING,STARTER PLUNGR	3				
92093	92093-1027	OIL SEAL	3				

KZ1300-A4 / CHASSIS ELECTRICAL EQUIPMENT

F2760-0132



Illustrations (c) 1966-2003 Kawasaki Motors Corp., U.S.A. All rights reserved.

Illustration (c) 1966-2009 Kawasaki Motors Corp., U.S.A. All rights reserved



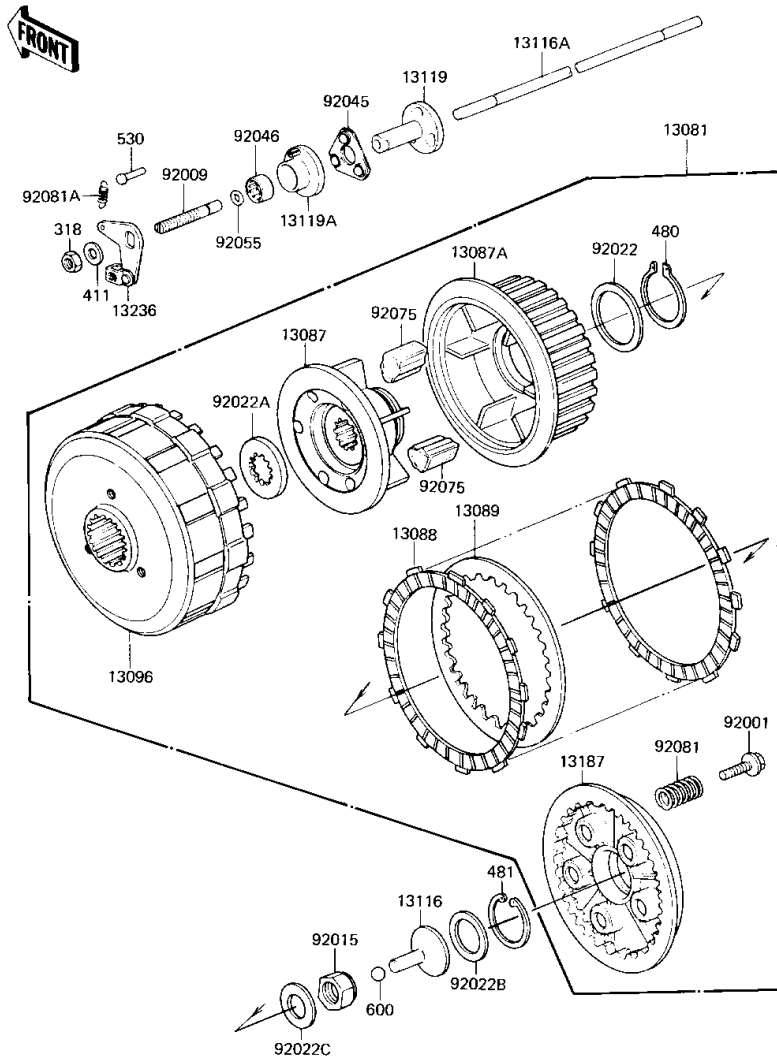
## Part List

KZ1300-A4 / CHASSIS ELECTRICAL EQUIPMENT

REF NUMBER	PART NUMBER	DESCRIPTION	QUANTITY	US	CA	CN	REMARKS
110	112G0612	BOLT-UPSET,6X12	3				
220	220B0620	SCREW PAN HEAD 6X20	2				
220A	220B0635	SCREW PAN HEAD 6X35	2				
410	410B0600	WASHER PLAIN 6MM	4				
411	411B0600	WASHER PLAIN 6MM	2				
461	461F0600	WASHER SPRING 6MM	3				
11036	11036-1028	BRACKET,HORN COVER	1				
13070	13070-1022	GUIDE,MAIN HARNESS	1				
13091	13091-1102	HOLDER,ACCESSORY FUSE	1				
14025	14025-1310	COVER,HORN	1				
21066	21066-026	REGULATOR	2				
26001	26001-1064	WIRING HARNESS,SUB	1				
26001A	26001-1374	HARNESS,REGULATOR	1				
26001B	26001-1375	HARNESS,WARNER	1				
26001C	26001-1379	HARNESS,MAIN	1				
26004	26004-1009	FUSE ASSY	1				
26004A	26004-1018	FUSE-ASSY	1				
26006	26006-003	FUSE 10A	4				
26006A	26006-1002	FUSE,10A,L=30M/M	3				
26006B	26006-1004	FUSE,2A,L=25M/M	2				
26006C	26006-1005	FUSE,30A,L=25M/M	2				
26011	26011-095	WIRE,LEAD	4				
26011A	26011-1038	WIRE,BATTERY GROUND	1				
26011B	26011-1100	WIRE-LEAD,ACCESSORY G	1				
26011C	26011-1160	WIRE-LEAD,BATTERY	1				
26012	26012-1012	YUA BAT Y50-N18L-A2	1	X			US
26012A	26012-1019	26012-1012 (Canada)	1			X	CN
27002	27002-011	RELAY-TURN SIGNAL	1				
27002A	27002-016	RELAY,TURN SIGNAL	1				
27003	27003-1037	HORN	1				
27010	27010-1016	SWITCH,TURN SIGNAL OP	1				
27010A	27010-1024	SWITCH,RESERVE LIGHTI	1				
56037	56040-1036	LABEL-WARNING,BATTERY	1	X			US
92009	221C0430	SCREW-CSK	2				
92015	92017-014	NUT,LOCK 6MM	4				
92022	92022-024	WASHER PLAIN	4				

KZ1300-A4 / CLUTCH

E1350-0046



Illustrations (c) 1966-2003 Kawasaki Motors Corp., U.S.A. All rights reserved.

Illustration (c) 1966-2009 Kawasaki Motors Corp., U.S.A. All rights reserved

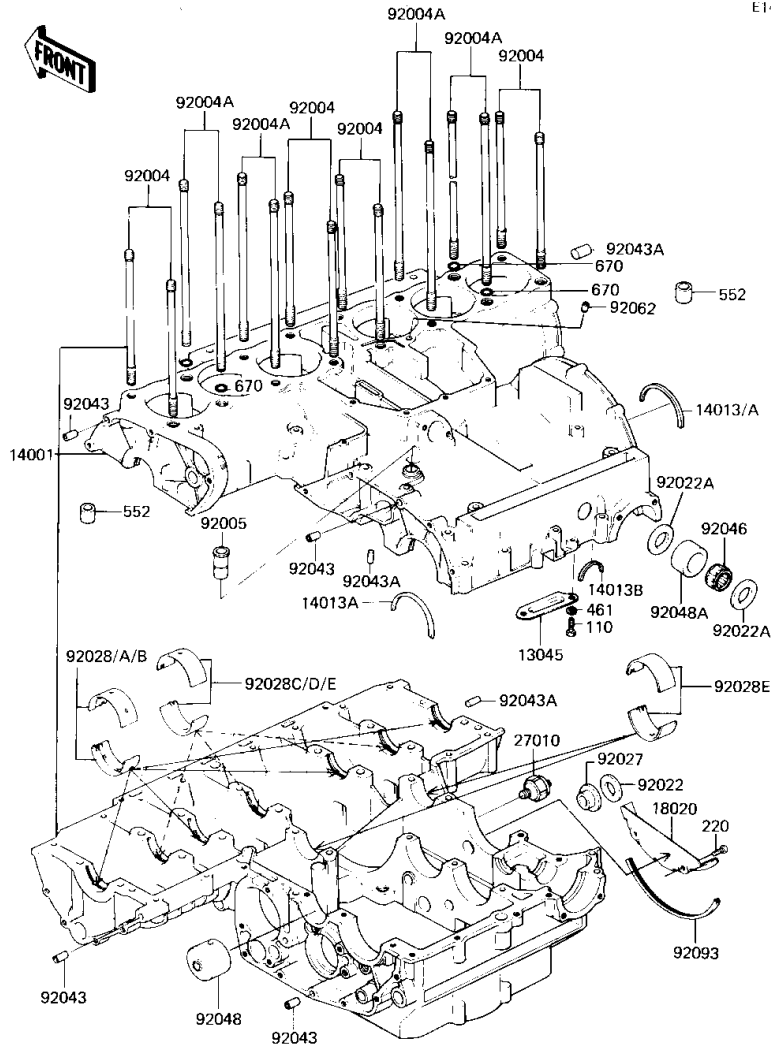
## Part List

KZ1300-A4 / CLUTCH

REF NUMBER	PART NUMBER	DESCRIPTION	QUANTITY	US	CA	CN	REMARKS
318	318B0800	NUT 8MM	1				
411	411B0800	WASHER PLAIN 8MM	1				
480	480J5000	CIRCLIP,50MM	1				
481	481J4500	CIRCLIP,45MM	1				
530	530C0420	RIVET,ROUND,4X20	1				
600	600A1200	BALL STEEL 3/8'	1				
13081	13081-1076	CLUTCH-ASSY	1				
13087	13087-1006	HUB,CLUTCH,INNER	1				
13087A	13087-1019	HUB-CLUTCH	1				
13088	13088-1004	PLATE,FRICTION	7				
13089	13089-1003	PLATE,CLUTCH,STEEL	12				
13096	13096-1007	HOUSING,CLUTCH	1				
13116	13116-022	PUSHER,CLUTCH SPRG PL	1				
13116A	13116-1013	ROD,PUSH,CLUTCH,8X328	1				
13119	13119-1005	CAM,RELEASE,INNER	1				
13119A	13119-1006	CAM,RELEASE,OUTER	1				
13187	13187-1010	PLATE-CLUTCH OPERATIN	1				
13236	13236-1008	LEVER,CLUTCH RELEASE	1				
92001	92001-1066	BOLT,CLUTCH SPR FITT	5				
92009	92009-1038	SCREW,SLOTTED,8M/M	1				
92015	92015-1054	NUT,20M/M,CLUTCH HUB	1				
92022	92022-1081	WASHER,50.3X60X1.0	1				
92022A	92022-1082	WASHER,SPLINED	1				
92022B	92022-1097	WASHER,30X44.7X3.2	1				
92022C	92125-002	WASHER	1				
92045	92045-1014	BALL ASSY,CLUTCH RELE	1				
92046	92046-1013	BEARING,N,TLA1412	1				
92055	670B1505	"O" RING,5MM	1				
92075	92075-1088	DAMPER,CLUTCH	12				
92081	92081-1149	SPRING,CLUTCH	5				
92081A	92083-011	SPRING GEAR CHNG LEV	1				

KZ1300-A4 / CRANKCASE

E1411-0057



Illustrations (c) 1966-2003 Kawasaki Motors Corp., U.S.A. All rights reserved.

Illustration (c) 1966-2009 Kawasaki Motors Corp., U.S.A. All rights reserved

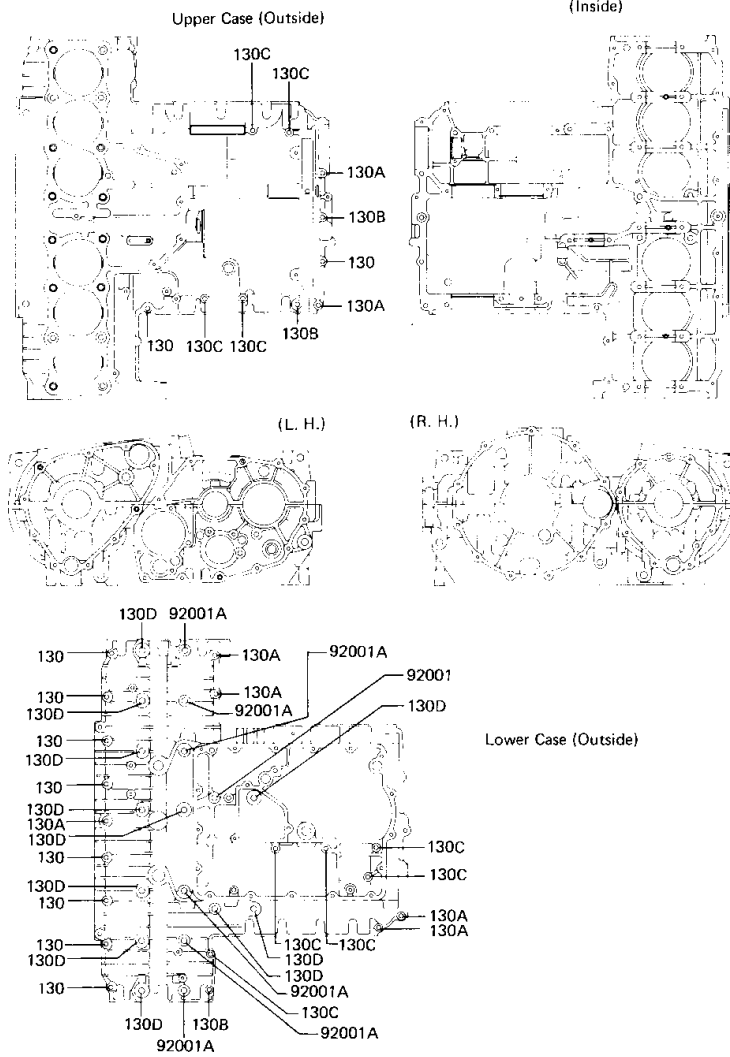
## Part List

KZ1300-A4 / CRANKCASE

REF NUMBER	PART NUMBER	DESCRIPTION	QUANTITY	US	CA	CN	REMARKS
110	112G0616	BOLT-UPSET,6X16	2				
220	220B0610	SCREW PAN HEAD 6X10	2				
461	461F0600	WASHER SPRING 6MM	2				
552	552B1012	PIN,DOWEL,6.5X10X12	2				
670	670B2012	"O" RING,12MM	4				
13045	13045-1002	RECEIVER,OIL	1				
14001	14001-5110	SET-CRANKCASE	1				
14013	14013-013	RING-BEARING SET	AR				
14013A	14013-1004	RING,POSITION	AR				
14013B	14013-1007	RING-POSITION	1				
18020	18020-1022	BAFFLE	1				
27010	16144-006	SWITCH ASY,OIL PRSSUR	1				
92004	92004-062	STUD,10X153	8				
92004A	92004-1019	STUD,10X195	8				
92005	14067-006	BREATHER JOINT	1				
92022	92022-1279	WASHER,THRUST,10MM	1				
92022A	92022-1280	WASHER,THRUST,20.5MM	2				
92027	92027-1387	COLLAR,L=6MM	1				
92028	92028-1103	BUSHING,MAIN JOURNAL	AR				
92028A	92028-1104	BUSHING,MAIN JOURNAL	AR				
92028B	92028-1105	BUSHING,MAIN JOURNAL	AR				
92028C	92028-1106	BUSHING,MAIN JOURNAL	AR				
92028D	92028-1107	BUSHING,MAIN JOURNAL	AR				
92028E	92028-1108	BUSHING,MAIN JOURNAL	AR				
92043	92042-007	PIN-DOWEL	4				
92043A	92042-016	PIN DOWEL 6MM	3				
92046	92046-1042	BEARING-NEEDLE,TK2028	1				
92048	92048-1008	RACE,DRIVE SHAFT,L.H:	1				
92048A	92048-1018	RACE	1				
92062	92062-011	NOZZLE,OIL BIAS	1				
92093	92093-1040	SEAL	1				

KZ1300-A4 / CRANKCASE BOLT & STUD PATTERN

E1412-0011



Illustrations (c) 1966-2003 Kawasaki Motors Corp., U.S.A. All rights reserved.

Illustration (c) 1966-2009 Kawasaki Motors Corp., U.S.A. All rights reserved

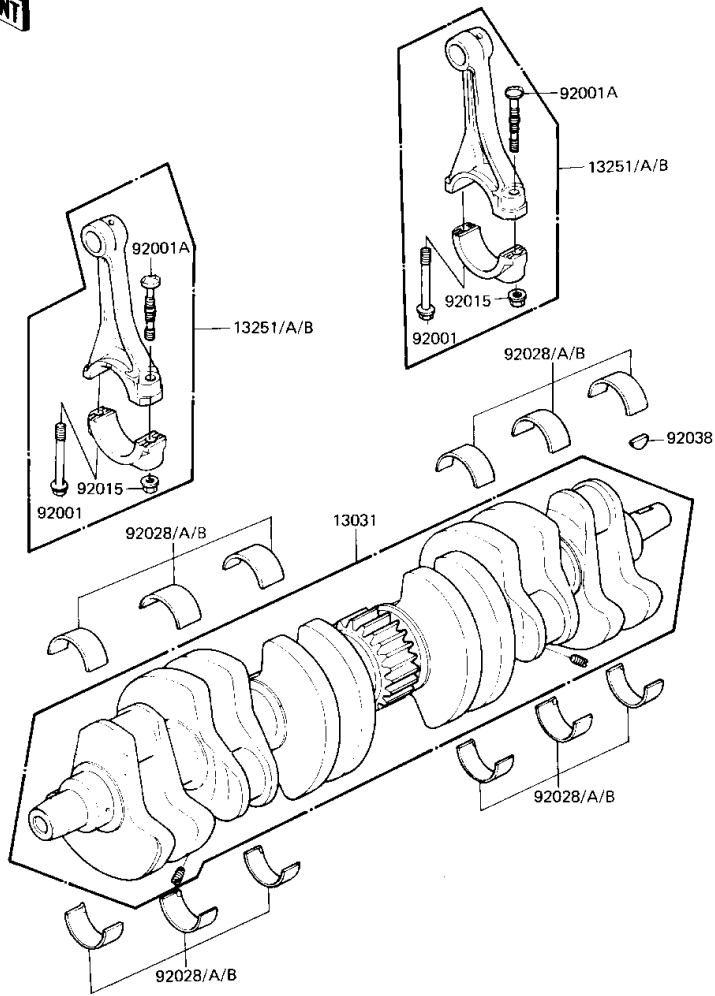
## Part List

KZ1300-A4 / CRANKCASE BOLT &amp; STUD PATTERN

REF NUMBER	PART NUMBER	DESCRIPTION	QUANTITY	US	CA	CN	REMARKS
130	130G0640	BOLT,FLANGED,6X40	10				
130A	130G0650	BOLT-FLANGED,6X50	7				
130B	130G0665	BOLT,FLANGED,6X65	3				
130C	130G0685	BOLT,FLANGED,6X85	8				
130D	130P0895	BOLT-FLANGED,8X95	11				
92001	92001-1121	BOLT,TENSION,8X130	1				
92001A	92001-1185	BOLT,TENSION,8X105	6				

KZ1300-A4 / CRANKSHAFT

E1321-0033



Illustrations (c) 1966-2003 Kawasaki Motors Corp., U.S.A. All rights reserved.

Illustration (c) 1966-2009 Kawasaki Motors Corp., U.S.A. All rights reserved



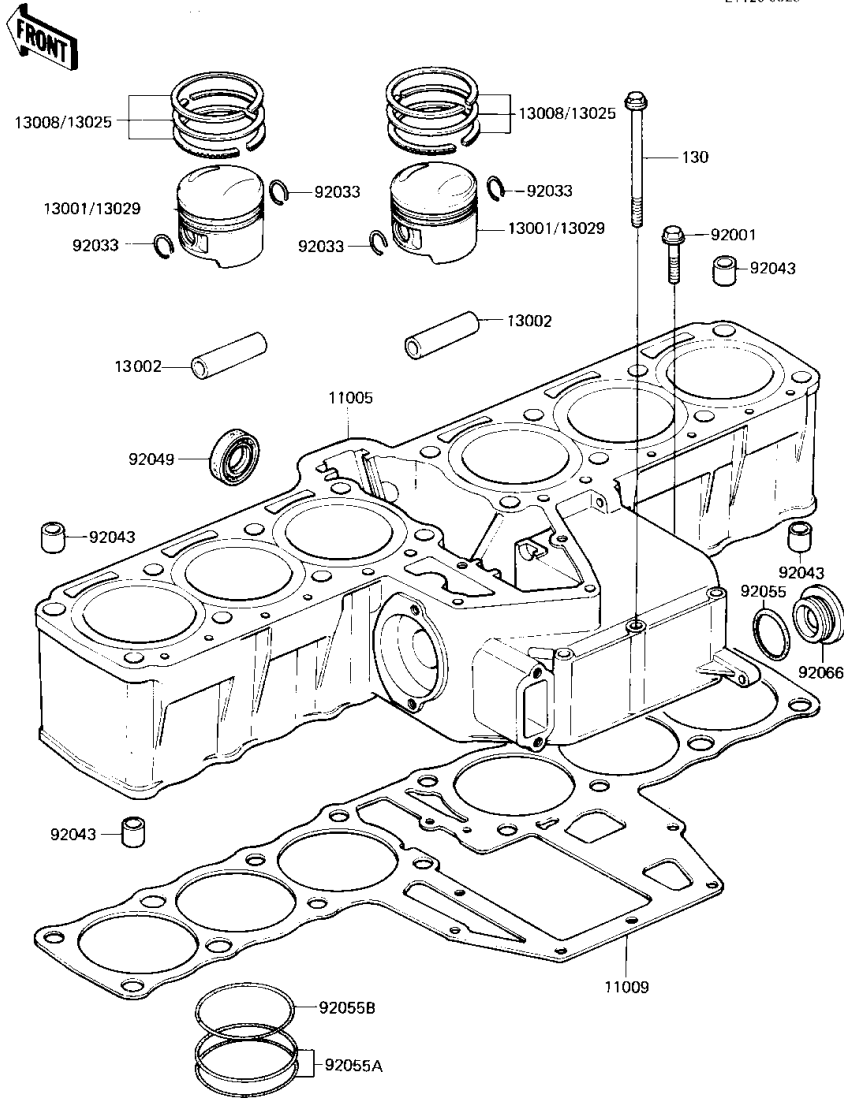
## Part List

KZ1300-A4 / CRANKSHAFT

REF NUMBER	PART NUMBER	DESCRIPTION	QUANTITY	US	CA	CN	REMARKS
13031	13031-1071	CRANKSHAFT-COMP	1				
13251	13251-1051-JJ	ROD-ASSY-CONNECTING	AR				
13251A	13251-1006-HH	CONNECTING ROD ASSY,H	AR				
13251B	13251-1006-II	CONNECTING ROD ASSY,I	AR				
92001	92001-1120	BOLT,CONNECTING ROD	6				
92001A	92001-169	BOLT	6				
92015	92015-1311	NUT,FLANGED,8MM	6				
92028	92028-1049	BUSHING,CONNECTNG ROD	AR				
92028A	92028-1050	BUSHING,CONNECTNG ROD	AR				
92028B	92028-1051	BUSHING,CONNECTNG ROD	AR				
92038	92038-001	WOODRUFF KEY	1				

KZ1300-A4 / CYLINDER/PISTONS

E1120-0026



Illustrations (c) 1966-2003 Kawasaki Motors Corp., U.S.A. All rights reserved.

Illustration (c) 1966-2009 Kawasaki Motors Corp., U.S.A. All rights reserved

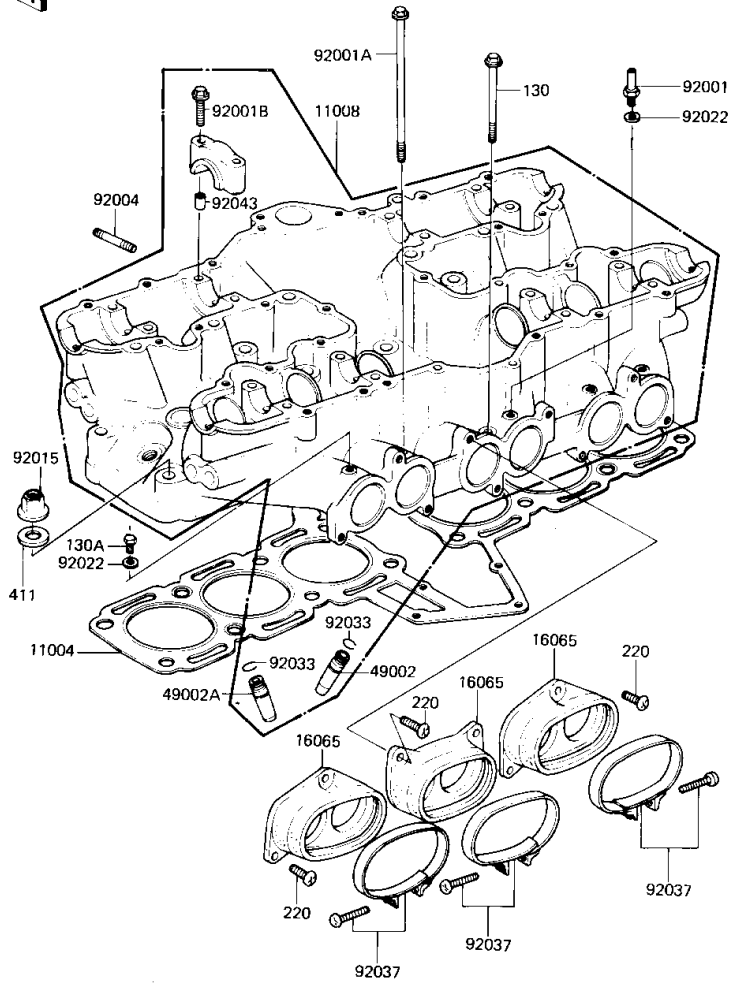
## Part List

KZ1300-A4 / CYLINDER/PISTONS

REF NUMBER	PART NUMBER	DESCRIPTION	QUANTITY	US	CA	CN	REMARKS
130	130G0685	BOLT,FLANGED,6X85	3				
11005	11005-1104	CYLINDER-ENGINE	1				
11009	11009-1101	GASKET,CYLINDER BASE	1				
13001	13001-1113	PISTON-ENGINE,STD	6				
13002	13002-032	PIN-PISTON	6				
13008	13008-5059	RING-SET-PISTON,STD	6				
13025	13025-5025	RING-SET-PISTON-L	6				
13029	13029-1061	PISTON-ENGINE L,O/S	6				
92001	92003-202	BOLT	1				
92033	92036-005	CIRCLIP PISTON PIN	12				
92043	92043-1266	PIN,11X14X12.3	4				
92049	92049-1028	OIL SEAL,TC17317	1				
92055	92055-091	"O" RING,RELEASE PLUG	1				
92055A	92055-1032	"O" RING,67MM	12				
92055B	92055-1035	"O" RING,67.5MM	6				
92066	92067-024	PLUG,RELEASE	1				

KZ1300-A4 / CYLINDER HEAD

E1111-0075



Illustrations (c) 1966-2003 Kawasaki Motors Corp., U.S.A. All rights reserved.

Illustration (c) 1966-2009 Kawasaki Motors Corp., U.S.A. All rights reserved

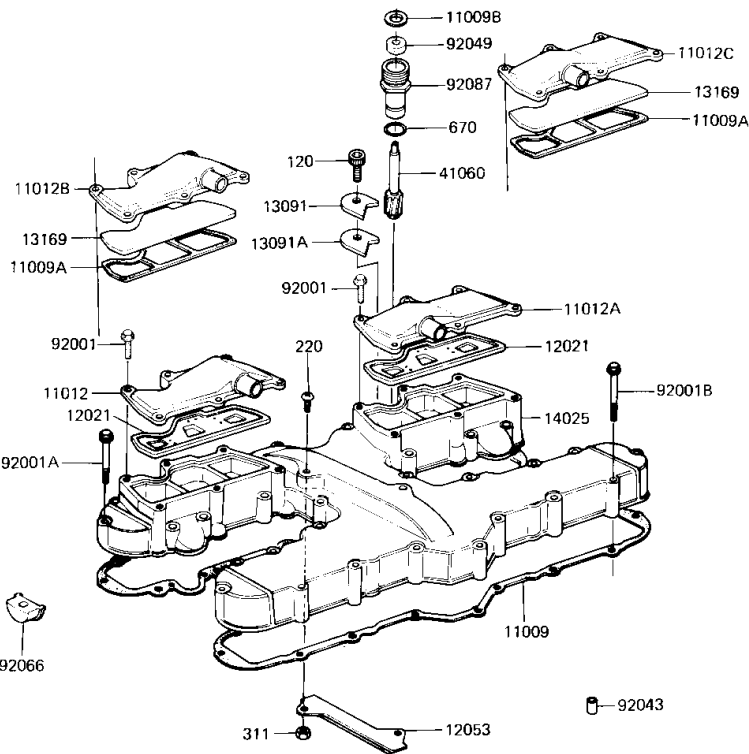
## Part List

KZ1300-A4 / CYLINDER HEAD

REF NUMBER	PART NUMBER	DESCRIPTION	QUANTITY	US	CA	CN	REMARKS
130	130G0665	BOLT,FLANGED,6X65	3				
130A	130B0608	BOLT,FLANGED,6X8	6	X		X	US CN, US CN
220	220B0616	SCREW PAN HEAD 6X16	9				
411	411B1000	WASHER PLAIN 10MM	16				
11004	11004-1014	GASKET,HEAD,CYLINDER	1				
11008	11008-1022	HEAD-COMP-CYLINDER	1				
16065	16065-1016	HOLDER,CARBURETOR	3				
49002	12013-009	GUIDE,INLET VALVE	6				
49002A	49002-1002	GUIDE,EXHAUST VALVE	6				
92001	92001-1143	BOLT,VACUUM	2	X			US
92001A	92001-1302	BOLT,HEX HEAD,6X161	16				
92001B	92003-092	BOLT,HEX HEAD,6X45	12				
92004	92004-066	STUD,6X27	12				
92015	92015-076	NUT,CYLINDER HEAD	16				
92022	92022-304	WASHER,PLAIN	6				
92033	92036-023	CIRCLIP-VALVE	12				
92037	92037-1119	CLAMP,CARBURETOR HLDR	3				
92043	92042-007	PIN-DOWEL	16				

KZ1300-A4 / CYLINDER HEAD COVER

E1112-0034



Illustrations (c) 1966-2003 Kawasaki Motors Corp., U.S.A. All rights reserved.

Illustration (c) 1966-2009 Kawasaki Motors Corp., U.S.A. All rights reserved

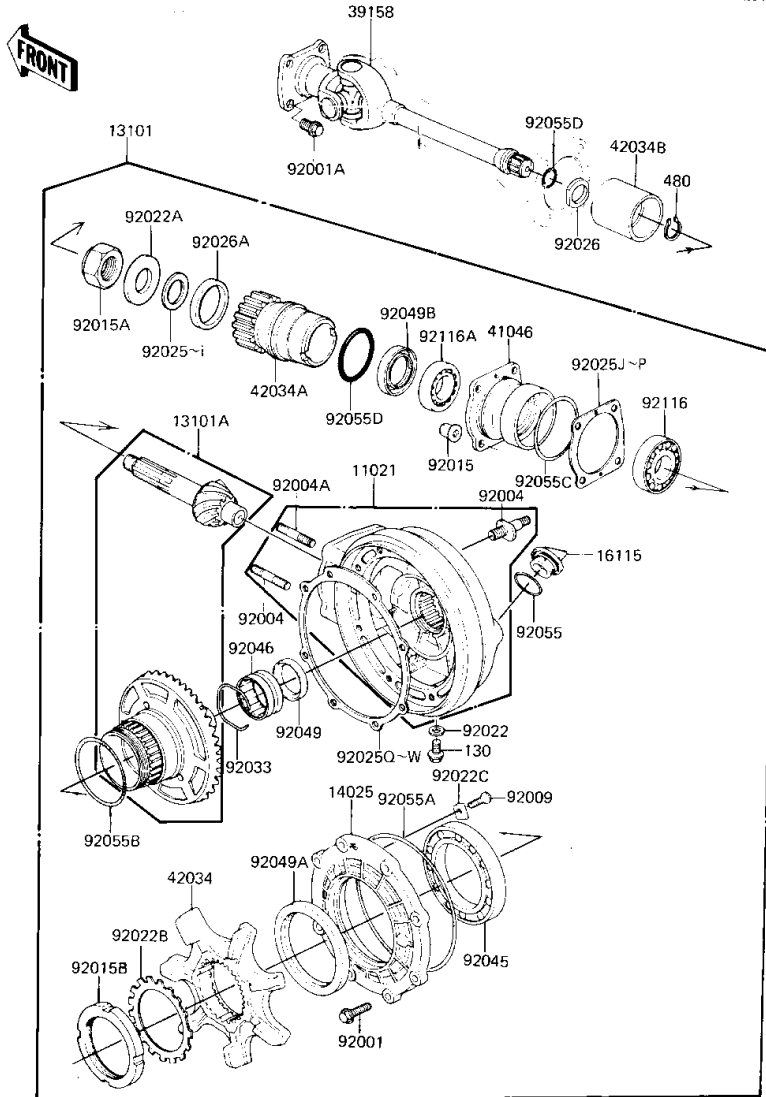
## Part List

KZ1300-A4 / CYLINDER HEAD COVER

REF NUMBER	PART NUMBER	DESCRIPTION	QUANTITY	US	CA	CN	REMARKS
120	120P0614	BOLT,6X14	1				
220	220B0616	SCREW PAN HEAD 6X16	2				
311	311B0600	NUT 6MM	2				
670	670D1510	"O" RING,10MM	1				
11009	11009-1095	GASKET,CYL HEAD COVER	1				
11009A	11009-1170	GASKET (Canada)	2			X	CN
11009B	92065-103	GASKET,TACHOMETER GER	1				
11012	11012-1057	CAP,L.H,REED VALVE	1	X			US
11012A	11012-1058	CAP,R.H,REED VALVE	1	X			US
11012B	11012-1107	CAP,L.H (Canada)	1			X	CN
12021	12021-1004	VALVE ASSY,REED	2	X			US
12021C	11012-1108	CAP,R.H (Canada)	1			X	CN
12053	12053-1026	GUIDE,CHAIN,CAM	1				
13091	13091-1008	HOLDER,TACHOMETER2.3T	1				
13091A	13091-1009	HOLDER,TACHOMETR,3.2T	1				
13169	13169-1221	PLATE (Canada)	2			X	CN
14025	14025-1312	COVER,CYLINDER HEAD	1				
41060	13223-011	GEAR,TACHOMETER,10T	1				
92001	92001-1100	BOLT,HEX HEAD,6X20	12				
92001A	92001-1192	BOLT,HEX HEAD,6X52	4				
92001B	92003-092	BOLT,HEX HEAD,6X45	28				
92043	92042-007	PIN-DOWEL	1				
92049	92050-075	OIL SEAL	1				
92066	92066-1030	PLUG,CAMSHAFT	4				
92087	92087-010	GUIDE,TACHOMETER GEAR	1				

KZ1300-A4 / DRIVE SHAFT/FINAL GEARS

F3132-0001



Illustrations (c) 1966-2003 Kawasaki Motors Corp., U.S.A. All rights reserved.

Illustration (c) 1966-2009 Kawasaki Motors Corp., U.S.A. All rights reserved



## Part List

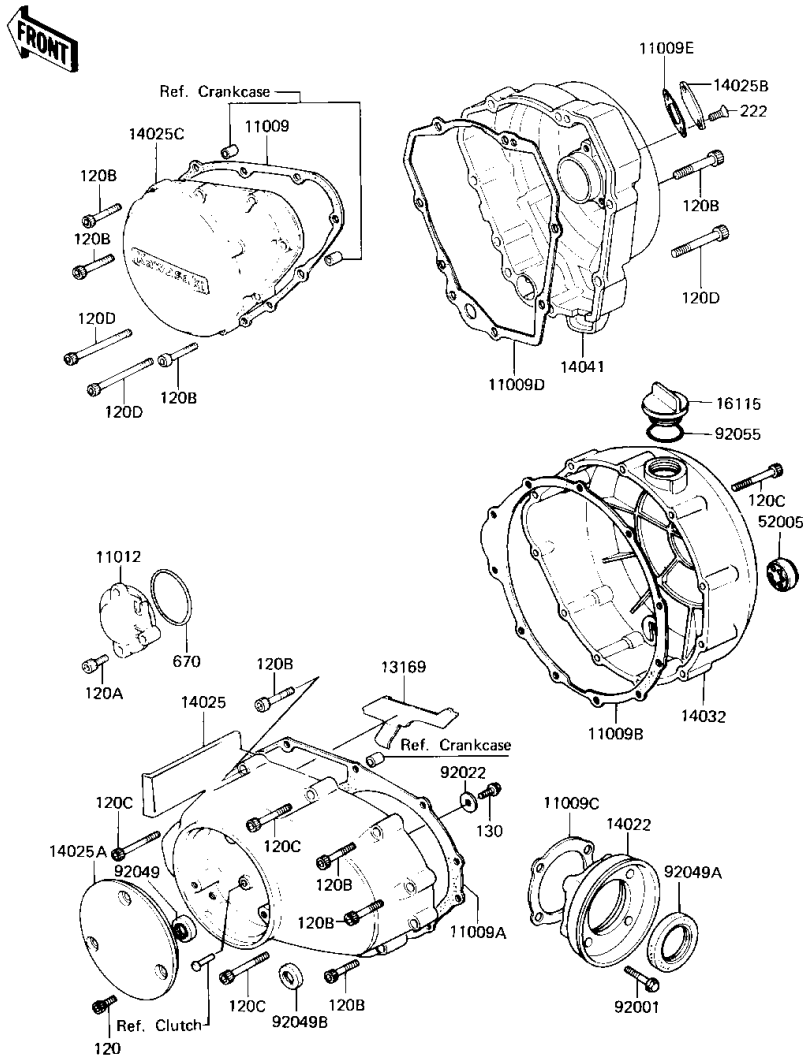
KZ1300-A4 / DRIVE SHAFT/FINAL GEARS

REF NUMBER	PART NUMBER	DESCRIPTION	QUANTITY	US	CA	CN	REMARKS
130	130B0812	BOLT,FLANGE	1				
480	480J2600	CIRCLIP 26MM	1				
11021	11021-1009	CASE ASSY,FINAL GEAR	1				
13101	13101-1017	GEAR ASSY, FINAL	1				
13101A	13101-5026	GEAR SET,FINAL BEVEL	1				
14025	14025-1066	COVER,FINAL GEAR CASE	1				
16115	16115-1003	CAP	1				
39158	39158-1004	SHAFT-ASSY-DRIVE	1				
41046	41046-1008	HOUSING,BEARING,FINAL	1				
42034	42034-1007	COUPLING,REAR HUB	1				
42034A	42034-1023	COUPLING,PROPELLER,LN	1				
42034B	42034-1092	COUPLING,PROPELLER SH	1				
92001	92001-1095	BOLT,8X28	8				
92001A	92001-1139	BOLT,12X15,COUPLING	4				
92004	92004-1020	STUD	1				
92004A	92004-1021	STUD,10X31.5	4				
92009	92009-1041	SCREW,COUNTERSNK,6X16	3				
92015	92015-1415	NUT,10MM	4				
92015A	92015-1059	NUT,16M/M	1				
92015B	92015-1060	NUT,75M/M,RING GEAR	1				
92022	92022-1086	WASHER	1				
92022A	92022-1105	WASHER	1				
92022B	92022-1106	WASHER,75M/M,RING GER	1				
92022C	92022-1112	WASHER,BEARING STOPPR	3				
92025	92025-1027	SHIM	AR				
92025A	92025-1028	SHIM	AR				
92025B	92025-1029	SHIM	AR				
92025C	92025-1030	SHIM	AR				
92025D	92025-1031	SHIM	AR				
92025E	92025-1032	SHIM	AR				
92025F	92025-1033	SHIM	AR				
92025G	92025-1034	SHIM	AR				
92025H	92025-1035	SHIM	AR				
92025I	92025-1036	SHIM	AR				
92025J	92025-1037	SHIM,73X0.6	AR				
92025K	92025-1038	SHIM,73X0.9	AR				
92025L	92025-1039	SHIM,73X1.2	AR				
92025M	92025-1040	SHIM,73X0.1	AR				
92025N	92025-1041	SHIM,73X0.15	AR				
92025O	92025-1042	SHIM,73X0.2	AR				
92025P	92025-1043	SHIM,73X0.3	AR				
92025Q	92025-1045	SHIM,168X0.6	AR				
92025R	92025-1046	SHIM,168X0.9	AR				
92025S	92025-1047	SHIM,168X1.2	AR				
92025T	92025-1048	SHIM,168X0.1	AR				
92025U	92025-1049	SHIM,168X0.15	AR				
92025V	92025-1050	SHIM,168X0.2	AR				
92025W	92025-1051	SHIM,168X0.3	AR				
92026	92026-1085	SPACER,PROPELLER SHAF	1				
92026A	92026-1102	SPACER,THRUST,26MM	1				
92033	92033-1020	RING,SNAP	1				
92045	92045-1020	BEARING,BALL,16016	1				
92046	92046-1020	BEARING	1				
92049	92049-1025	OIL SEAL	1				
92049A	92049-1026	OIL SEAL,S-901159HS	1				
92049B	92049-1082	SEAL-OIL,SC32558	1				
92055	92055-049	"O" RING,31MM	1				
92055A	92055-1030	"O" RING,159MM	1				
92055B	92055-1031	"O" RING,75MM	1				
92055C	92055-1032	"O" RING,67MM	1				
92055D	92055-1037	"O" RING,I.D=32.7MM	2				

92116	92116-1002	BEARING,R,4T30305C	1					
92116A	92116-1003	BEARING	1					

KZ1300-A4 / ENGINE COVERS

E1431-0071



Illustrations (c) 1966-2003 Kawasaki Motors Corp., U.S.A. All rights reserved.

Illustration (c) 1966-2009 Kawasaki Motors Corp., U.S.A. All rights reserved

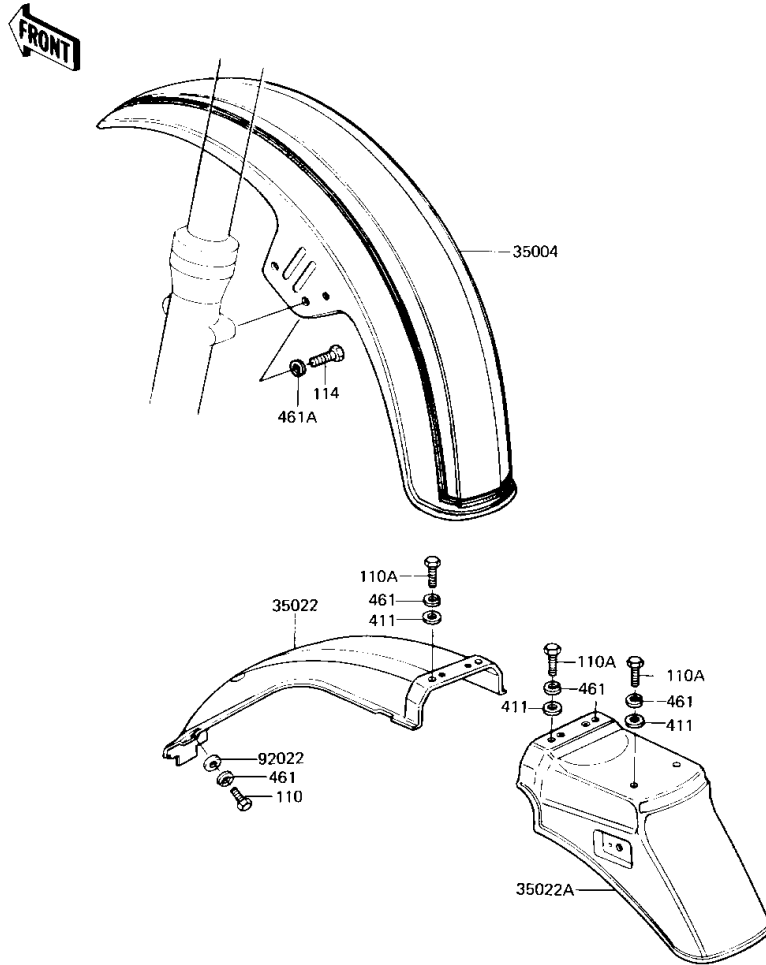
## Part List

KZ1300-A4 / ENGINE COVERS

REF NUMBER	PART NUMBER	DESCRIPTION	QUANTITY	US	CA	CN	REMARKS
120	120P0612	BOLT,SOCKET,6X12	3				
120A	120P0614	BOLT,6X14	2				
120B	120P0635	BOLT,SOCKET,6X35	21				
120C	120P0645	BOLT,SOCKET,6X45	15				
120D	120P0650	BOLT,SOCKET,6X50	4				
130	130G0614	BOLT,FLANGED,6X14	1				
222	222E0510	SCREW OVL CNTSNK 5X10	2				
670	670B3045	"0" RING,45M/M	1				
11009	11009-1090	GASKET,L.H,ENGINE COV	1				
11009A	11009-1091	GASKET,MISSION COVER	1				
11009B	11009-1092	GASKET,CLUTCH COVER	1				
11009C	11009-1159	GASKET,BEARING CAP	1				
11009D	11009-1269	GASKET,GENERATOR COVE	1				
11009E	11009-1270	GASKET,OIL INSPECTION	1				
11012	11012-1060	CAP,TIMING SPROCKET	1				
13169	13169-1131	PLATE,BAFFLE,BREATHER	1				
14022	14022-1005	CAP,BEARING,OUT SHAFT	1				
14025	14025-1313	COVER,MISSION	1				
14025A	14025-1314	COVER,RELEASE	1				
14025B	14025-1467	COVER,OIL INSPECTION	1				
14025C	14025-1703	COVER-LH,GENERATOR	1				
14032	14032-1053	COVER,CLUTCH	1				
14041	14041-1024	COVER,COMP,GENERATOR	1				
16115	16115-013	PLUG,OIL FILLER	1				
52005	52005-1017	GAUGE,OIL LEVEL	1				
92001	92003-202	BOLT	4				
92022	42046-008	WASHER SHOCK DAMPER	1				
92049	92049-1037	OIL SEAL,TC14244.8	1				
92049A	92049-1038	OIL SEAL,TC35527	1				
92049B	92051-005	OIL SEAL,TB13225.5	1				
92055	92055-049	"0" RING,31MM	1				

KZ1300-A4 / FENDERS

F2170-0134



Illustrations (c) 1966-2003 Kawasaki  
Motors Corp., U.S.A. All rights reserved.

Illustration (c) 1966-2009 Kawasaki Motors Corp., U.S.A. All rights reserved

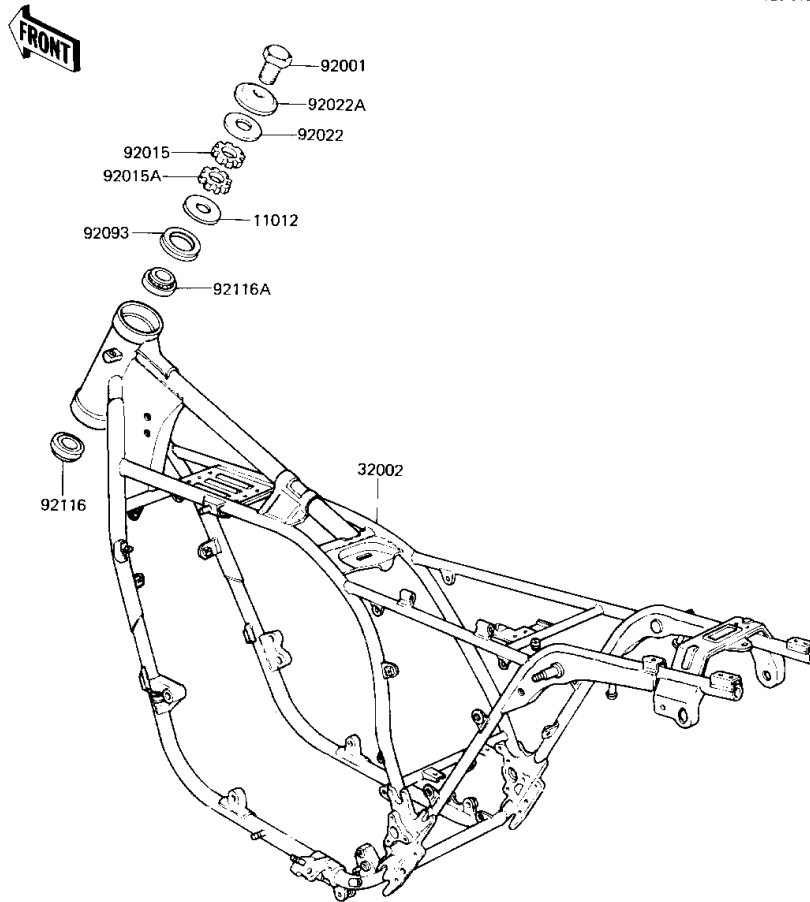
## Part List

KZ1300-A4 / FENDERS

REF NUMBER	PART NUMBER	DESCRIPTION	QUANTITY	US	CA	CN	REMARKS
110	112G0616	BOLT-UPSET,6X16	2				
110A	112G0618	BOLT-UPSET	6				
114	115G0816	BOLT-SMALL-UPSET,8X16	4				
411	411B0600	WASHER PLAIN 6MM	6				
461	461F0600	WASHER SPRING 6MM	8				
461A	461F0800	WASHER SPRING 8MM	4				
35004	35004-5010H8	FENDER-FRONT,EBONY	1				
35022	35022-1019	FENDER-RR	1				
35022A	35022-1020-6Z	FENDER-RR,BLACK	1				
92022	92022-125	WASHER 6.5X20X1.6T	2				

KZ1300-A4 / FRAME

F2120-0123



Illustrations (c) 1966-2003 Kawasaki  
Motors Corp., U.S.A. All rights reserved.

Illustration (c) 1966-2009 Kawasaki Motors Corp., U.S.A. All rights reserved

## Part List

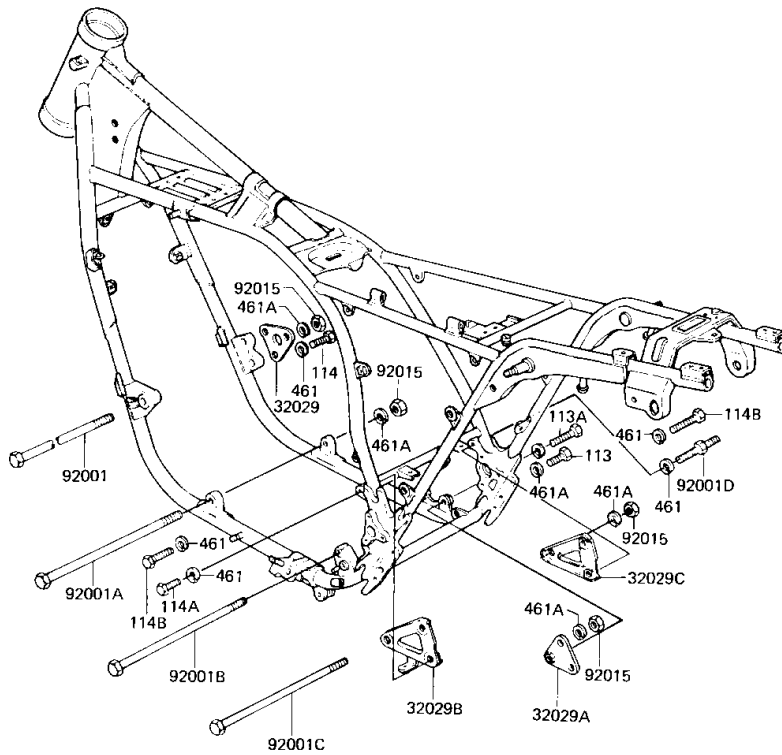
KZ1300-A4 / FRAME

REF NUMBER	PART NUMBER	DESCRIPTION	QUANTITY	US	CA	CN	REMARKS
11012	11012-1206	CAP,STEERING	1				
32002	32002-1371	FRAME-COMP	1				
92001	92007-031	BOLT,STEERG STEM HEAD	1				
92015	92015-1069	NUT,STEERING STEM HEA	1				
92015A	92015-1163	NUT,STEERING,28MM	1				
92022	46100-003	WASHER,WAVE	1				
92022A	92022-230	WASHER,STEERG STM HD	1				
92093	92093-1070	SEAL,STEERING	1				
92116	92116-1008	BEARING,ROLLER,32006	1				
92116A	92116-1009	BRG,ROLLER,HR320/28XJ	1				



KZ1300-A4 / FRAME FITTINGS

F-2131-0104



Illustrations (c) 1966-2003 Kawasaki  
Motors Corp., U.S.A. All rights reserved.

Illustration (c) 1966-2009 Kawasaki Motors Corp., U.S.A. All rights reserved

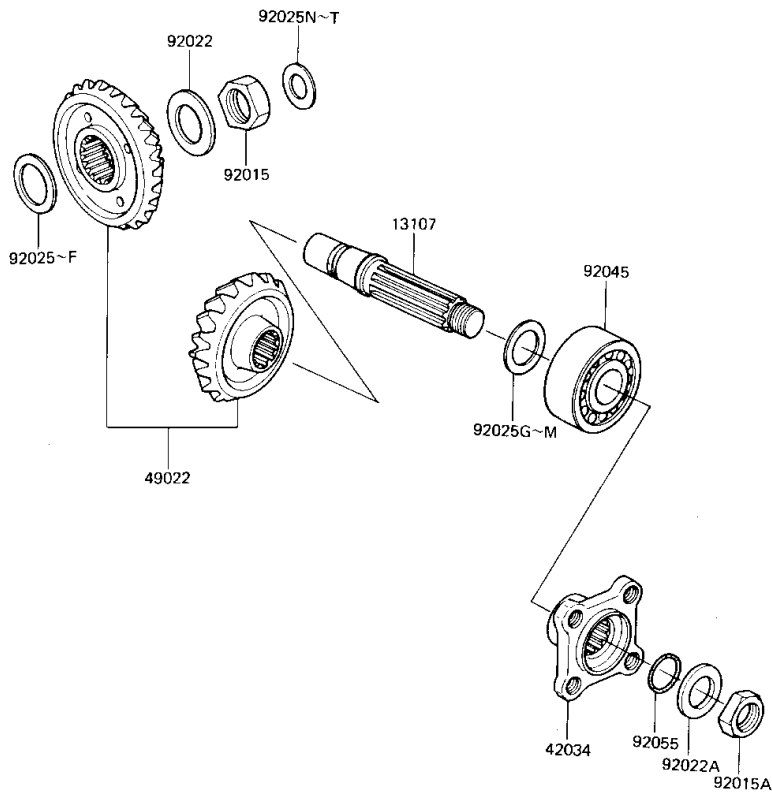
## Part List

KZ1300-A4 / FRAME FITTINGS

REF NUMBER	PART NUMBER	DESCRIPTION	QUANTITY	US	CA	CN	REMARKS
113	113G1016	BOLT,HEX HEAD,10X16	1				
113A	92001-1253	BOLT,HEX HEAD 10X40	1				
114	114G0822	BOLT,8X22	2				
114A	115G0825	BOLT-SMALL-UPSET 8X25	1				
114B	115G0840	BOLT,8X40	2				
461	461F0800	WASHER SPRING 8MM	6				
461A	461F1000	WASHER SPRING 10MM	6				
32029	32029-1061	BRACKET,ENGINE,FRONT	1				
32029A	32029-1062	BRACKET,ENGINE,REAR	1				
32029B	32029-1063	BRACKET,ENGINE,REAR	1				
32029C	32029-1064	BRACKET,ENGINE,REAR	1				
92001	92001-1126	BOLT,HEX HEAD,10X369	1				
92001A	92001-1127	BOLT,HEX HEAD,10X3/3	1				
92001B	92001-1128	BOLT,HEX HEAD,10X305	1				
92001C	92001-1129	BOLT,HEX HEAD,10X287	1				
92001D	92001-1400	BOLT,ENGINE BRACKET	1				
92015	92015-1429	NUT,10MM	4				

KZ1300-A4 / FRONT BEVEL GEARS

E3131-0004



Illustrations (c) 1966-2003 Kawasaki Motors Corp., U.S.A. All rights reserved.

Illustration (c) 1966-2009 Kawasaki Motors Corp., U.S.A. All rights reserved

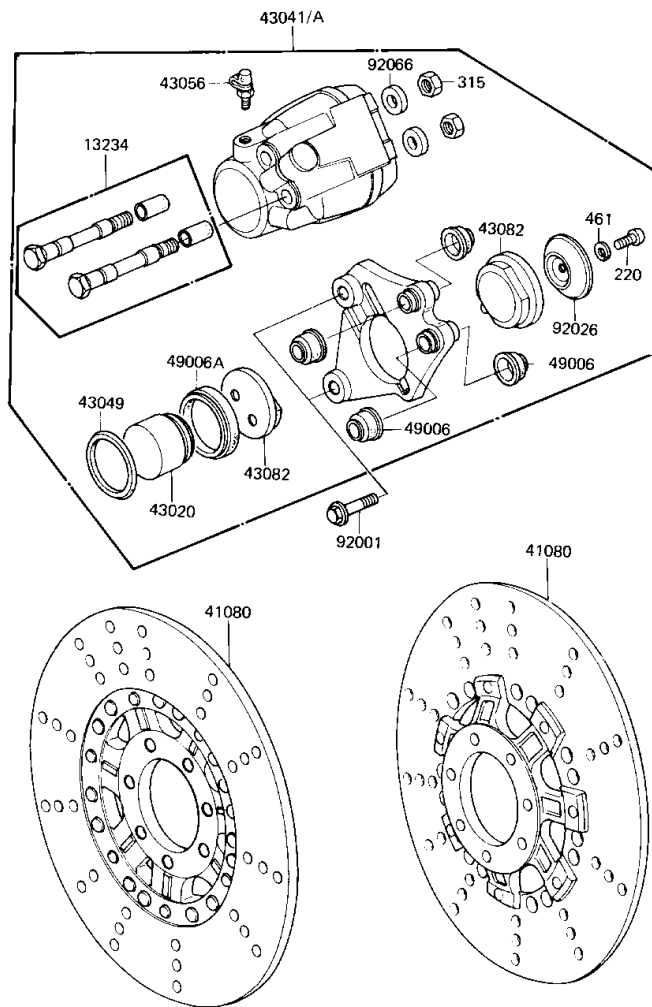
## Part List

KZ1300-A4 / FRONT BEVEL GEARS

REF NUMBER	PART NUMBER	DESCRIPTION	QUANTITY	US	CA	CN	REMARKS
13107	13107-1029	SHAFT,BEVEL GEAR	1				
42034	42034-1010	COUPLING,OUTPUT SHAFT	1				
49022	49022-5001	GEAR-BEVEL	1				
92015	92015-1057	NUT,24M/M	1				
92015A	92016-028	NUT 20MM	1				
92022	92022-1104	WASHER,24M/M,CANICAL	1				
92022A	92022-1116	WASHER,PLAIN,2.3X20.3	1				
92025	92025-1006	SHIM,30.3X40X0.6	AR				
92025A	92025-1007	SHIM,30.3X40X0.9	AR				
92025B	92025-1008	SHIM,30.3X40X1.2	AR				
92025C	92025-1009	SHIM,30.3X40X0.1	AR				
92025D	92025-1010	SHIM,30.3X40X0.15	AR				
92025E	92025-1011	SHIM,30.3X40X0.2	AR				
92025F	92025-1012	SHIM,30.3X40X0.3	AR				
92025G	92025-1013	SHIM,25.3X36X0.6	AR				
92025H	92025-1014	SHIM,25.3X36X0.9	AR				
92025I	92025-1696	SHIM,25.3X36X1.2	AR				
92025J	92025-1016	SHIM,25.3X36X0.1	AR				
92025K	92025-1017	SHIM,25.3X36X0.15	AR				
92025L	92025-1018	SHIM,25.3X36X0.2	AR				
92025M	92025-1019	SHIM,25.3X36X0.3	AR				
92025N	92025-1020	SHIM,15.3X27.5X0.6	AR				
92025O	92025-1021	SHIM,15.3X27.5X0.9	AR				
92025P	92025-1022	SHIM,15.3X27.5X1.2	AR				
92025Q	92025-1023	SHIM,15.3X27.5X0.1	AR				
92025R	92025-1024	SHIM,15.3X27.5X0.15	AR				
92025S	92025-1025	SHIM,15.3X27.5X0.2	AR				
92025T	92025-1026	SHIM,15.3X27.5X0.3	AR				
92045	92045-1147	BEARING-BALL,5305SH2C	1				
92055	92055-1029	"O" RING,20.5MM	1				

KZ1300-A4 / FRONT BRAKE

F2292-0029



Illustrations (c) 1966-2003 Kawasaki  
Motors Corp., U.S.A. All rights reserved.

Illustration (c) 1966-2009 Kawasaki Motors Corp., U.S.A. All rights reserved

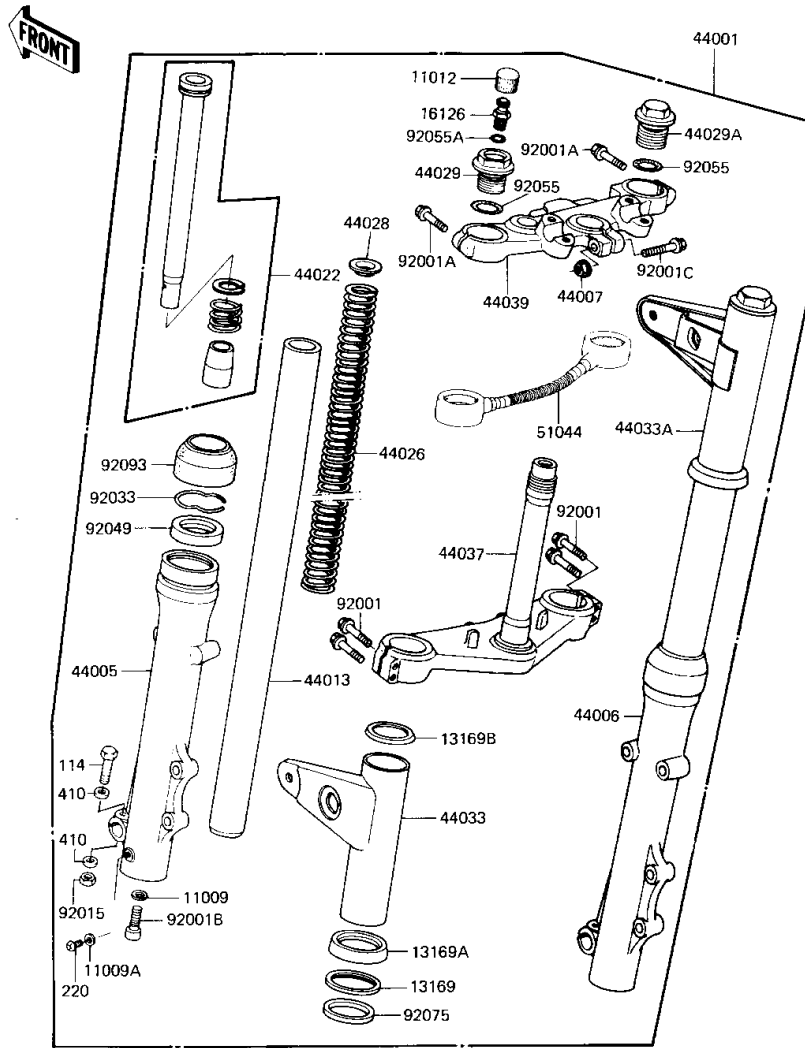
## Part List

KZ1300-A4 / FRONT BRAKE

REF NUMBER	PART NUMBER	DESCRIPTION	QUANTITY	US	CA	CN	REMARKS
220	220B0612	SCREW PAN HEAD 6X12	2				
315	315B1000	NUT 10MM	4				
461	461F0600	WASHER SPRING 6MM	2				
13234	13234-1002	SHAFT ASSY,CALIPER	2				
41080	41080-1123	DISC,FR,SILVER	2				
43020	43020-1012	PISTON,BRAKE,42M/M	2				
43041	43041-1016	CALIPER ASSY,FRONT,LH	1				
43041A	43041-1017	CALIPER ASSY,FRONT,RH	1				
43049	43049-002	RING,PISTON SEAL	2				
43056	43085-001	BLEEDER SET	2				
43082	43082-1004	PAD SET	2				
49006	43052-005	DUST SHILD,SHAFT	8				
49006A	43054-003	DUST SEALD,RUBBER	2				
92001	92001-1299	BOLT,HEX HEAD,10X44	4				
92026	43040-004	SPACER	2				
92066	43088-002	PLUG	4				

KZ1300-A4 / FRONT FORK

F2340-0113



Illustrations (c) 1966-2003 Kawasaki Motors Corp., U.S.A. All rights reserved.

Illustration (c) 1966-2009 Kawasaki Motors Corp., U.S.A. All rights reserved

## Part List

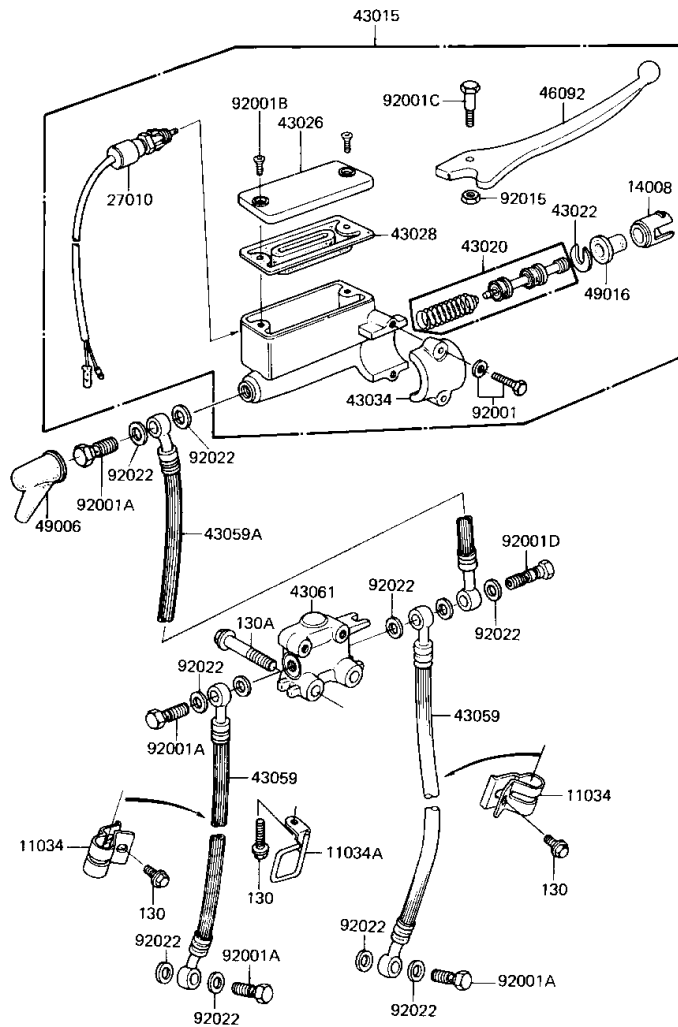
KZ1300-A4 / FRONT FORK

REF NUMBER	PART NUMBER	DESCRIPTION	QUANTITY	US	CA	CN	REMARKS
114	114G0855	BOLT,HEX HEAD,8X55	2				
220	220B0408	SCREW PAN HEAD 4X8	2				
410	410B0800	WASHER PLAIN 8MM	4				
11009	11009-1127	GASKET,FORK CYLINDER	2				
11009A	44045-002	GASKET FORK DRAIN PLG	2				
11012	11012-1241	CAP,AIR VALVE	1				
13169	13169-1154	GUIDE,FORK COVER DMPE	2				
13169A	13169-1163	GUIDE,FORK COVER,LOWE	2				
13169B	13169-1164	GUIDE,FORK COVER,UPER	2				
16126	16126-1052	VALVE AIR	1				
44001	44001-1267	FORK-FRONT	1				
44005	44005-1043	TUBE,LH,FORK OUTER	1				
44006	44006-1043	TUBE,RH,FORK OUTER	1				
44007	44007-1002	NUT,8M/M	1				
44013	44013-1057	TUBE FORK INNER	2				
44022	44022-1029	CYLINDER-FORK	2				
44026	44026-1028	SPRING,FORK	2				
44028	44028-1003	GUIDE,FORK SPRING	2				
44029	44029-1023	CAP FORK TOP RH	1				
44029A	44029-1024	CAP FORK TOP LH	1				
44033	44033-1063	COVER FORK LH	1				
44033A	44033-1064	COVER FORK RH	1				
44037	44037-1016	STEM,STEERING	1				
44039	44039-1013	HEAD,STEERING STEM	1				
51044	51044-1005	HOSE ASSY FRONT FORK	1				
92001	92001-1188	BOLT,8X40	4				
92001A	92001-1189	BOLT,10X45	2				
92001B	92001-1309	BOLT,FORK CYLINDER	2				
92001C	92001-1639	BOLT	1				
92015	92015-1124	NUT,LOCK,8MM	2				
92033	92033-1036	CIRCLIP	2				
92049	92049-1043	OIL SEAL	2				
92055	92055-1050	"O" RING,FORK TOP CAP	2				
92055A	92055-1094	"O" RING,AIR VALVE	1				
92075	92075-1155	DAMPER,FORK COVER	2				
92093	92093-1023	DUST SHIELD,FORK	2				



KZ1300-A4 / FRONT MASTER CYLINDER

F2291-0064



Illustrations (c) 1966-2003 Kawasaki Motors Corp., U.S.A. All rights reserved.

Illustration (c) 1966-2009 Kawasaki Motors Corp., U.S.A. All rights reserved

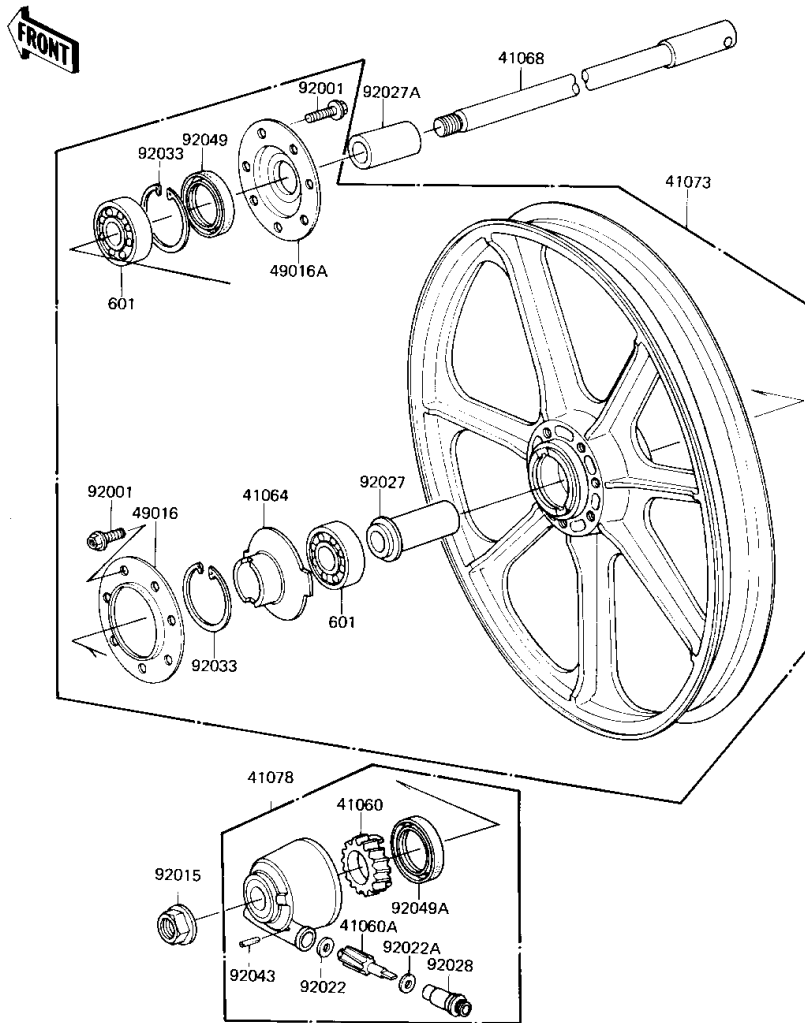
## Part List

KZ1300-A4 / FRONT MASTER CYLINDER

REF NUMBER	PART NUMBER	DESCRIPTION	QUANTITY	US	CA	CN	REMARKS
130	130B0608	BOLT,FLANGED,6X8	3				
130A	130G0845	BOLT,FLANGED,8X45	2				
11034	11034-1284	BRACKET,BRAKE HOSE	2				
11034A	11034-1285	BRACKET,SPEED CABLE	1				
14008	14008-1007	LINER,PISTON	1				
27010	27010-1028	SWITCH,BRAKE	1				
43015	43015-1060	CYLINDER ASSY,FRONT	1				
43020	43020-1023	PISTON-COMP-BRAKE	1				
43022	43022-1001	STOPER,PISTON	1				
43026	43026-1012	CAP,OIL CUP	1				
43028	43028-1008	DIAPHRAGM	1				
43034	43034-1001	HOLDER,MASTER CYLINDR	1				
43059	43059-1175	HOSE-BRAKE,L=570	2				
43059A	43059-1042	HOSE,BRAKE	1				
43061	43061-1001	JOINT,BRAKE	1				
46092	46092-1004	LEVER,FRONT BRAKE	1				
49006	49006-1041	BOOT,DUST	1				
49016	49016-1010	DUST COVER	1				
92001	43033-003	BOLT,HEX HEAD,6X25	2				
92001A	92002-1888	BOLT,OIL,L=23	4				
92001B	92001-1055	SCREW,COUNTERSUNK HED	2				
92001C	92001-1056	BOLT,CLUTCH LEV FITT	1				
92001D	92002-1909	BOLT	1				
92015	312B0600	NUT 6MM	1				
92022	43067-001	WASHER-OIL BOLT	11				

KZ1300-A4 / FRONT WHEEL/HUB

F2230.0060



Illustrations (c) 1966-2003 Kawasaki  
Motors Corp., U.S.A. All rights reserved.

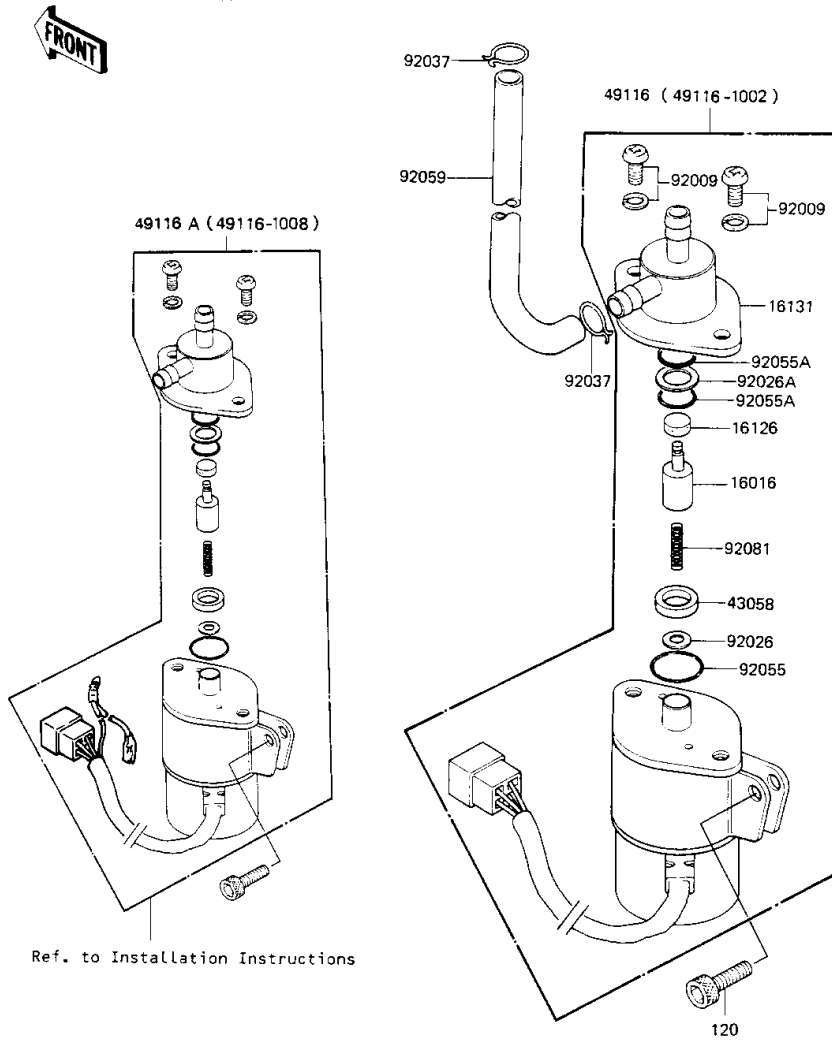
Illustration (c) 1966-2009 Kawasaki Motors Corp., U.S.A. All rights reserved

## Part List

KZ1300-A4 / FRONT WHEEL/HUB

REF NUMBER	PART NUMBER	DESCRIPTION	QUANTITY	US	CA	CN	REMARKS
601	601B6303Z	BEARING BALL #6303Z	2				
41060	41059-026	GEAR,SPEEDOMETER	1				
41060A	41060-1021	PINION,SPEEDOMETER	1				
41064	41064-1003	RECEIVER,SPEEDOMETER	1				
41068	41068-1016	AXLE,FRONT	1				
41073	41073-1023	SOLID WHEEL ASSY,FRON	1				
41078	41078-1008	GEAR BOX ASSY	1				
49016	49016-1018	DUST COVER,R.H	1				
49016A	49016-1018	DUST COVER,R.H	1				
92001	92001-1095	BOLT,8X28	14				
92015	92015-1041	NUT,16M/M	1				
92022	41063-001	WASHER THRST SPD PINI	1				
92022A	41063-001	WASHER THRST SPD PINI	1				
92027	92027-1123	COLLAR,FRONT HUB BEAR	1				
92027A	92027-1125	COLLAR,FRONT AXLE	1				
92028	92028-1045	BUSHING,SPEEDOMETER	1				
92033	92033-1042	CIRCLIP,47M/M	2				
92043	41082-001	PIN,SPRING	1				
92049	92049-1008	OIL SEAL,NOK AE1351EO	1				
92049A	92049-1057	OIL SEAL,BJN30427-C3	1				

KZ1300-A4 / FUEL SOLENOID VALVE



Illustrations (c) 1966-2003 Kawasaki Motors Corp., U.S.A. All rights reserved.

Illustration (c) 1966-2009 Kawasaki Motors Corp., U.S.A. All rights reserved

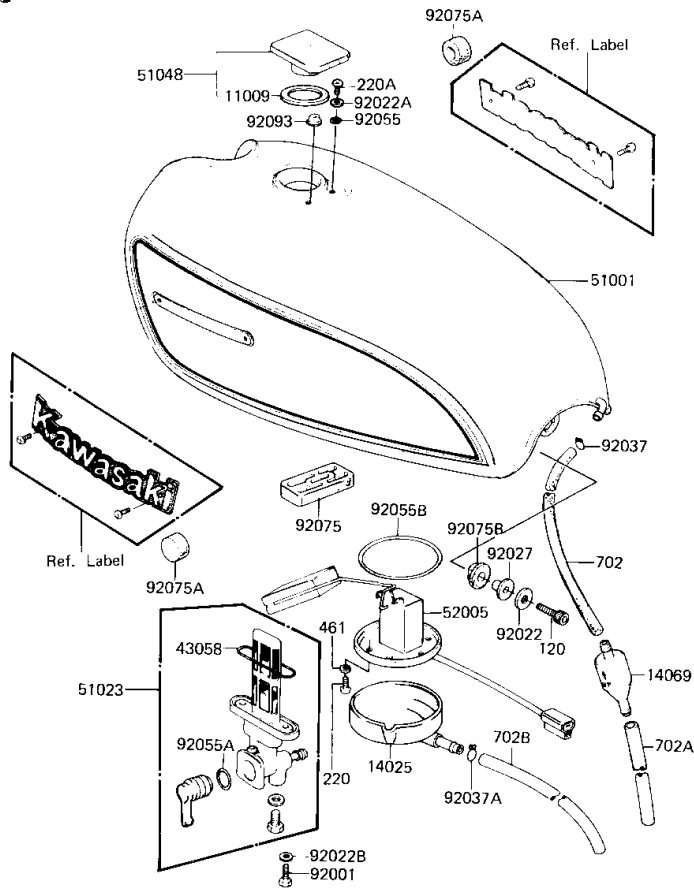
## Part List

KZ1300-A4 / FUEL SOLENOID VALVE

REF NUMBER	PART NUMBER	DESCRIPTION	QUANTITY	US	CA	CN	REMARKS
120	120P0614	BOLT,6X14	1				
16016	16016-1007	PLUNGER	1				
16126	16126-1016	VALVE	1				
16131	16131-1003	BODY,VALVE	1				
43058	43058-1012	COLLAR	1				
49116	49116-1008	VALVE-ASSY,FUEL	1				(SUBSTITUTE 49116-1008)
49116A	49116-1008	VALVE-ASSY,FUEL	1				
92009	92009-1071	SCREW,PAN HEAD	2				
92026	92026-1056	SPACER	1				
92026A	92026-1057	SPACER	1				
92037	92037-1141	CLAMP,FUEL TUBE	2				
92055	92055-1064	"O" RING	1				
92055A	92055-1065	"O" RING	2				
92059	92059-1083	TUBE,FUEL7.5X12.5X230	1				
92081	92081-1170	SPRING	1				

KZ1300-A4 / FUEL TANK

F2410-0110



Illustrations (c) 1966-2003 Kawasaki Motors Corp., U.S.A. All rights reserved.

Illustration (c) 1966-2009 Kawasaki Motors Corp., U.S.A. All rights reserved

## Part List

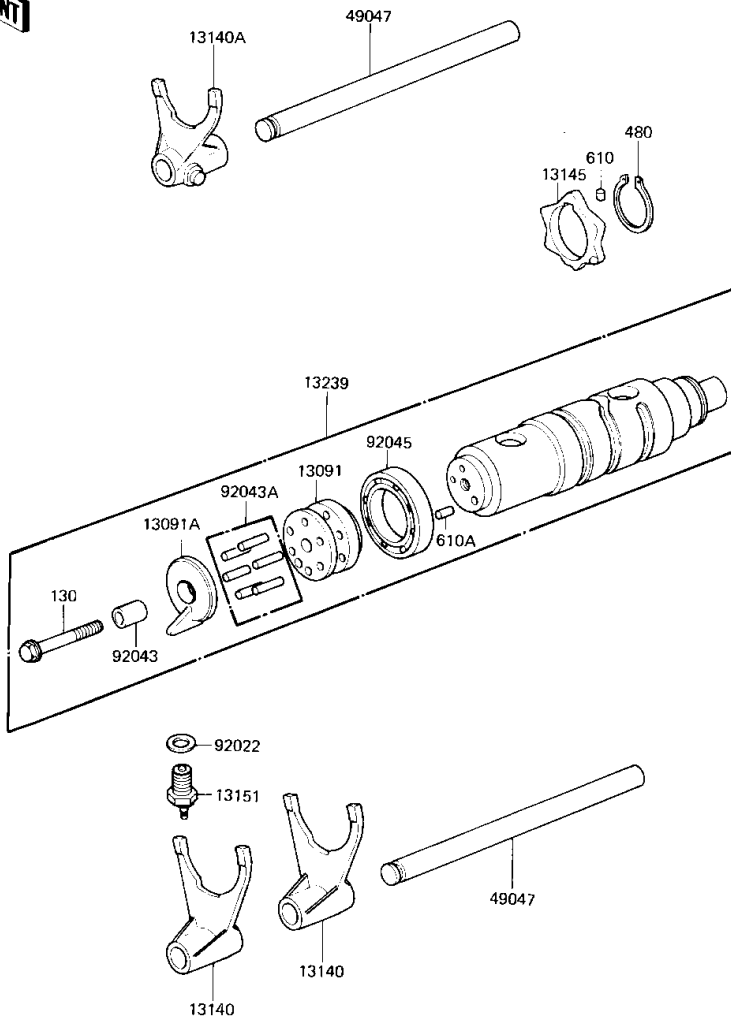
KZ1300-A4 / FUEL TANK

REF NUMBER	PART NUMBER	DESCRIPTION	QUANTITY	US	CA	CN	REMARKS
120	120P0830	BOLT,SOCKET,8X30	1				
220	220B0508	SCREW PAN HEAD 5X8	5				
220A	220B0510	SCREW PAN HEAD 5X10	2				
461	461F0500	WASHER SPRING 5MM	5				
702	702A07280	TUBE,RUBBER,7X10X280	1				
702A	702A07400	TUBE,RUBBER,7X10X400	1				
702B	702A071000	TUBE-BREATHER (BULK)	1				
11009	11009-1051	GASKET,FUEL TANK CAP	1				
14025	14025-1091	COVER,FUEL GAGE	1				
14069	14069-1004	BREATER,FUEL TANK	1				
43058	51039-010	"0" RING	1				
51001	51001-5154-8G	TANK-FUEL,EBONY	1				
51023	51023-1028	TAP ASSY,FUEL	1				
51048	51048-1019	CAP ASSY,FUEL TANK	1				
52005	52005-1006	GAGE,FUEL	1				
92001	92001-1091	BOLT,6X20,FUEL TAP	2				
92022	?	UNAVAILABLE IN PRICE BOOK	1				
92022A	92022-1038	WASHER,PLAIN	2				
92022B	92022-183	WASHER-PLAIN	2				
92027	92027-1134	COLLAR,FUEL TANK FITT	1				
92037	92037-010	CLAMP FUEL PIPE	1				
92037A	92037-147	CLAMP,CHAIN OILER	1				
92055	92055-1023	"0" RING	2				
92055A	92055-1036	"0" RING	1				
92055B	92055-1067	"0" RING	1				
92075	92075-1114	DAMPER,FUEL TANK,REAR	1				
92075A	92075-1115	DAMPER,FUEL TANK,FRON	2				
92075B	92075-1116	DAMPER,FUEL TANK,FITT	1				
92093	92093-1030	OIL SEAL,FUEL TANK	1				



KZ1300-A4 / GEAR CHANGE DRUM & FORKS

E1362-0040



Illustrations (c) 1966-2003 Kawasaki Motors Corp., U.S.A. All rights reserved.

Illustration (c) 1966-2009 Kawasaki Motors Corp., U.S.A. All rights reserved

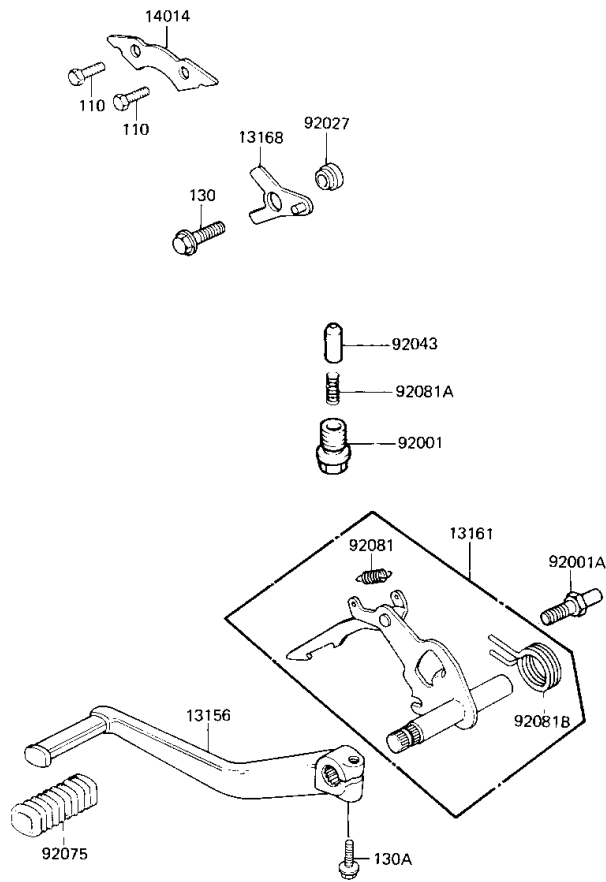
## Part List

KZ1300-A4 / GEAR CHANGE DRUM &amp; FORKS

REF NUMBER	PART NUMBER	DESCRIPTION	QUANTITY	US	CA	CN	REMARKS
130	130G0640	BOLT,FLANGED,6X40	1				
480	480J3000	CIRCLIP,30MM	1				
610	610A0406	PIN-DOWEL,4X6	1				
610A	610A0408	PIN DOWEL 4X8	1				
13091	13091-1113	HOLDER,BEARING	1				
13091A	13091-1114	HOLDER,DRUM PIN	1				
13140	13140-1050	FORK-SHIFT,LOW,2,3RD	2				
13140A	13140-1051	FORK-SHIFT,4TH&TOP	1				
13145	13145-1058	CAM-CHANGE DRUM	1				
13151	13151-1007	SWITCH,NEUTRAL	1				
13239	13239-1050	DRUM ASSY,GEAR CHANGE	1				
49047	49047-1008	ROD,SHIFT,12X173	2				
92022	92065-058	GASKET CHECK VALVE	1				
92043	92042-007	PIN-DOWEL	1				
92043A	92042-014	PIN GEAR CHANGE DRUM	6				
92045	92045-1016	BEARING,BALL,#6906	1				

KZ1300-A4 / GEAR CHANGE MECHANISM

E1370-0070



Illustrations (c) 1966-2003 Kawasaki  
Motors Corp., U.S.A. All rights reserved.

Illustration (c) 1966-2009 Kawasaki Motors Corp., U.S.A. All rights reserved

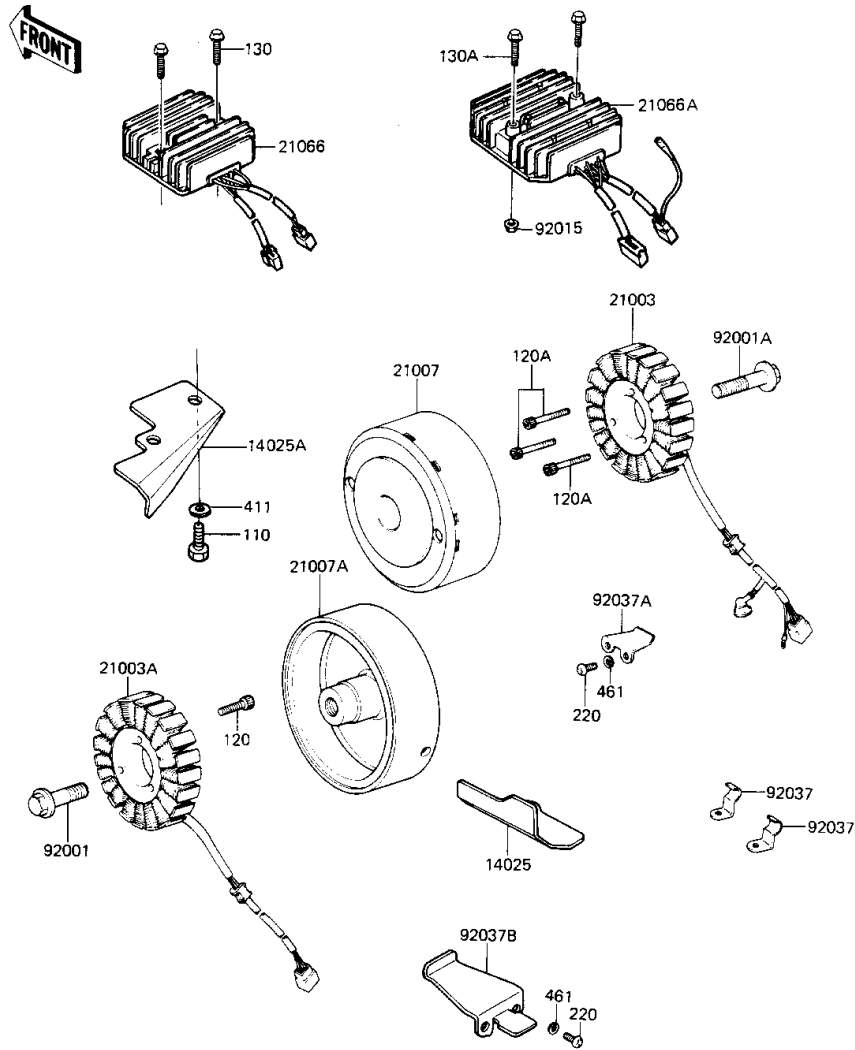
## Part List

KZ1300-A4 / GEAR CHANGE MECHANISM

REF NUMBER	PART NUMBER	DESCRIPTION	QUANTITY	US	CA	CN	REMARKS
110	112G0616	BOLT-UPSET,6X16	2				
130	130G0825	BOLT-FLANGED,8X25	1				
130A	130P0625	BOLT-FLANGED,6X25	1				
13156	13156-1038	PEDAL,CHANGE	1				
13161	13161-1114	LEVER-COMP-CHANGE SHA	1				
13168	13168-1034	LEVER,CHANGE	1				
14014	14014-1008	PLATE,POSITION,DRUM	1				
92001	92001-131	BOLT,10MM	1				
92001A	92001-1401	BOLT,RETURN SPRING	1				
92027	92027-1139	COLLAR,CHANGE LEVER	1				
92043	92043-076	PIN-NEUTRAL POSITION	1				
92075	92075-1175	DAMPER RUBR GEAR CHNG	1				
92081	92081-076	SPRING-CHANGE LEVER	1				
92081A	92081-112	SPRING	1				
92081B	92083-028	SPRING,CHG PEDL RTRN	1				

KZ1300-A4 / GENERATOR/REGULATOR

E1810-0052



Illustrations (c) 1966-2003 Kawasaki Motors Corp., U.S.A. All rights reserved.

Illustration (c) 1966-2009 Kawasaki Motors Corp., U.S.A. All rights reserved

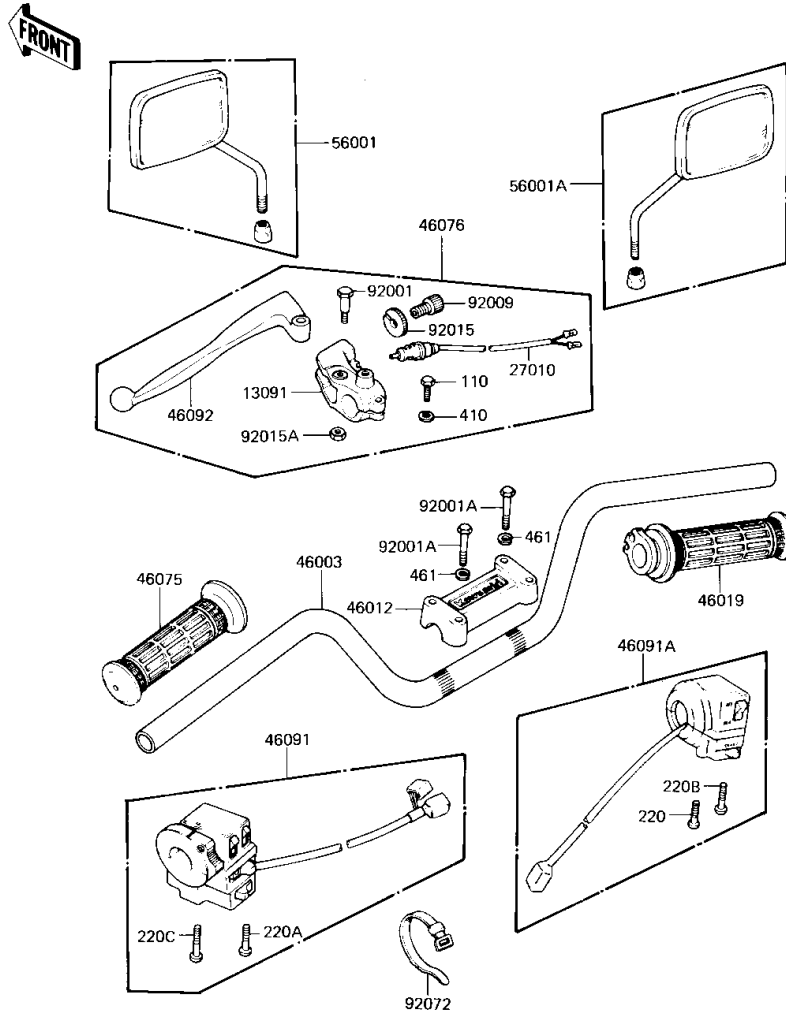
## Part List

KZ1300-A4 / GENERATOR/REGULATOR

REF NUMBER	PART NUMBER	DESCRIPTION	QUANTITY	US	CA	CN	REMARKS
110	112G0610	BOLT,6X10	2				
120	120P0530	BOLT-SOCKET,5X30	3				
120A	120P0635	BOLT,SOCKET,6X35	3				
130	130B0625	BOLT,FLANGED,6X25	2				
130A	130B0635	BOLT-FLANGED,6X35	2				
220	220B0510	SCREW PAN HEAD 5X10	4				
411	411B0600	WASHER PLAIN 6MM	2				
461	461F0500	WASHER SPRING 5MM	4				
14025	14025-1273	COVER,LEAD WIRE	1				
14025A	14025-1391	COVER,GENERATOR LEAD	1				
21003	21003-1059	STATOR	1				
21003A	21003-1064	STATOR	1				
21007	21007-1048	ROTOR	1				
21007A	21007-1051	ROTOR	1				
21066	21066-1024	REGULATOR-VOLTAGE	1				
21066A	21066-1026	REGULATOR-VOLTAGE	1				
92001	92001-1012	BOLT	1				
92001A	92001-1146	BOLT,12X40	1				
92015	92015-1078	NUT-6MM	1				
92037	92037-1345	CLAMP,LEAD WIRE	2				
92037A	92037-1287	CLAMP,GENERATOR LEAD	1				
92037B	92037-1343	CLAMP,LEAD WIRE	1				

KZ1300-A4 / HANDLEBAR

F2310-0163



Illustrations (c) 1966-2003 Kawasaki Motors Corp., U.S.A. All rights reserved.

Illustration (c) 1966-2009 Kawasaki Motors Corp., U.S.A. All rights reserved

## Part List

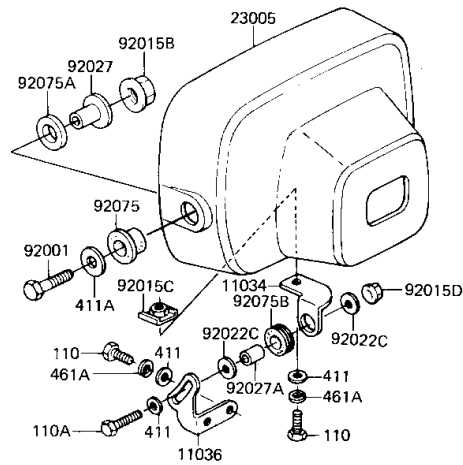
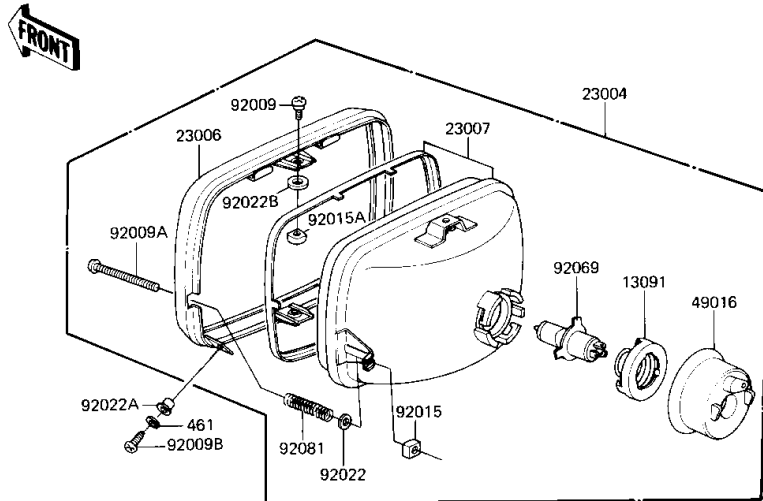
KZ1300-A4 / HANDLEBAR

REF NUMBER	PART NUMBER	DESCRIPTION	QUANTITY	US	CA	CN	REMARKS
110	110N0622	BOLT, HEX HEAD 6X22	1				
220	220B0530	SCREW PAN HEAD 5X30	1				
220A	220B0535	SCREW-PAN-CROS	1				
220B	220B0540	SCREW-PAN-CROS	1				
220C	220B0545	SCREW PAN HEAD 5X45	1				
410	410B0600	WASHER PLAIN 6MM	1				
461	461F0800	WASHER SPRING 8MM	4				
13091	13091-1046	HOLDER,CLUTCH LEVER	1				
27010	27043-002	SWITCH,CLUTCH	1				
46003	46003-1030	HANDLEBAR	1				
46012	46012-1007	HOLDER,HANDLEBAR	1				
46019	46019-1013	GRIP-ASSY,THROTTLE	1				
46075	46075-1020	GRIP,LH	1				
46076	46076-1006	LEVER ASSY,CLUTCH	1				
46091	46091-1059	HOUSING ASSY,L.H	1				
46091A	46091-1080	HOUSING ASSY,R.H	1				
46092	46092-1005	LEVER,CLUTCH	1				
56001	56001-1089	MIRROR-ASSY,LH	1				
56001A	56001-1090	MIRROR-ASSY,RH	1				
92001	92001-1075	BOLT,CLUTCH LEVER FIT	1				
92001A	92001-1405	BOLT 8X38	4				
92009	46055-003	SCREW CABLE ADJUST	1				
92015	46056-005	NUT-LOCK	1				
92015A	92019-008	NUT	1				
92072	92072-031	BAND,MIDDLE	4				



KZ1300-A4 / HEADLIGHT

F2710-0118



Illustrations (c) 1966-2003 Kawasaki Motors Corp., U.S.A. All rights reserved.

Illustration (c) 1966-2009 Kawasaki Motors Corp., U.S.A. All rights reserved

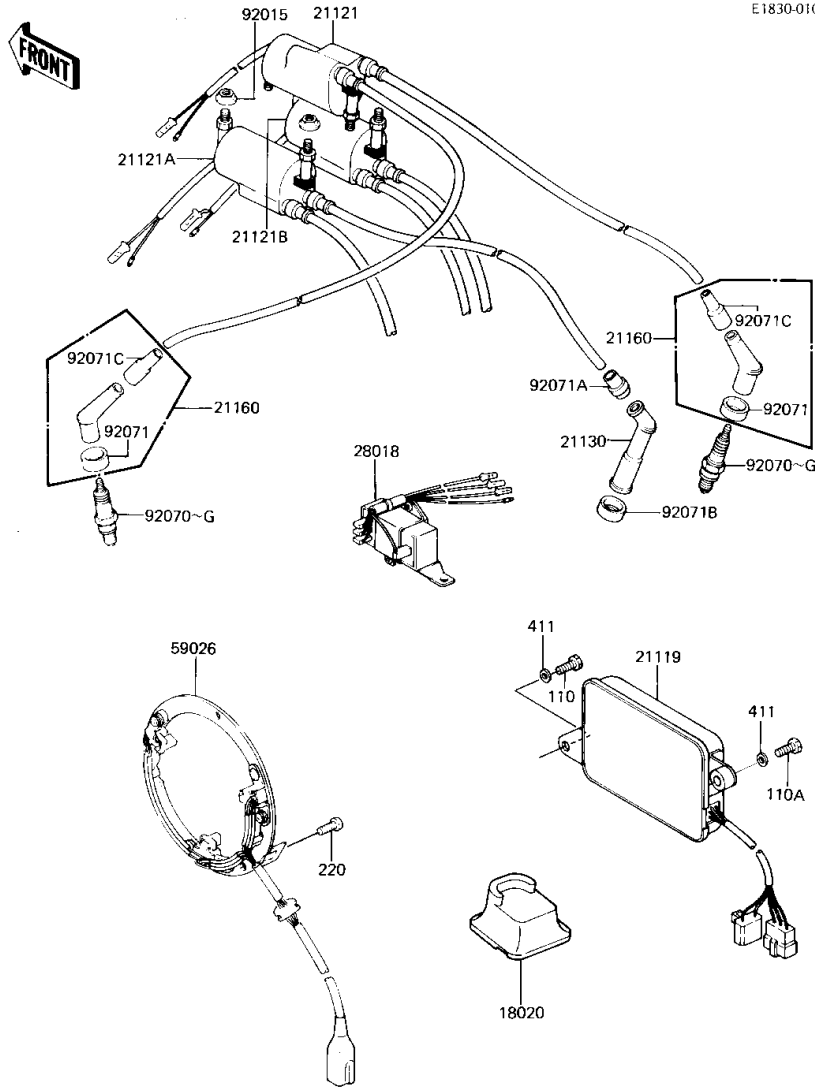
## Part List

KZ1300-A4 / HEADLIGHT

REF NUMBER	PART NUMBER	DESCRIPTION	QUANTITY	US	CA	CN	REMARKS
110	112G0616	BOLT-UPSET,6X16	3				
110A	112G0630	BOLT-UPSET	1				
411	411B0600	WASHER PLAIN 6MM	4				
411A	411D0800	WASHER,PLAIN,8MM	2				
461	461F0500	WASHER SPRING 5MM	2				
461A	461F0600	WASHER SPRING 6MM	3				
11034	11034-1289	BRACKET,HEAD LAMP BDY	1				
11036	11036-1042	BRACKET,HEAD LAMP	1				
13091	13091-1036	HOLDER,HEAD LAMP SOCK	1				
23004	23004-1075	LAMP-HEAD	1				
23005	23005-1024-21	BODY-COMP-HEAD LAMP,F	1				
23006	23006-1005	RIM,HEAD LAMP	1				
23007	23007-1041	LENS-COMP	1				
49016	49016-1023	COVER,HEAD LAMP SOCKE	1				
92001	92001-1405	BOLT 8X38	2				
92009	23019-023	SCREW-PAN HEAD,5X12	2				
92009A	92009-1047	SCREW,HEAD LAMP LENS	1				
92009B	92011-024	SCREW-PAN HEAD,5MM	2				
92015	23020-018	NUT,4MM	1				
92015A	23020-023	NUT,HEAD LAMP RIM FIT	2				
92015B	92015-1014	NUT,8M/M	2				
92015C	92015-1050	NUT,HEAD LAMP BODY FT	1				
92015D	92015-1078	NUT-6MM	1				
92022	23021-004	WASHER	1				
92022A	23021-010	WASHER	2				
92022B	23021-012	WASHER-PLAIN,5MM	2				
92022C	92022-125	WASHER 6.5X20X1.6T	1				
92027	92027-1131	COLLAR,HEAD LAMP FITT	2				
92027A	92027-162	COLLAR,REAR FENDER	1				
92069	92069-1002	BULB,12V-60/55W	1				
92075	92075-1109	DAMPER,HEAD LAMP FITT	2				
92075A	92075-1110	DAMPER,HEAD LAMP FITT	2				
92075B	92075-209	DAMPER RUBBER,RR FENR	1				
92081	92081-1103	SPRING,HEAD LAMP LENS	1				

KZ1300-A4 / IGNITION

E1830-0103



Illustrations (c) 1966-2003 Kawasaki Motors Corp., U.S.A. All rights reserved.

Illustration (c) 1966-2009 Kawasaki Motors Corp., U.S.A. All rights reserved

## Part List

KZ1300-A4 / IGNITION

REF NUMBER	PART NUMBER	DESCRIPTION	QUANTITY	US	CA	CN	REMARKS
110	112G0610	BOLT,6X10	1				
110A	112B0622	BOLT 6X22	1				
220	220B0612	SCREW PAN HEAD 6X12	3				
411	411B0600	WASHER PLAIN 6MM	2				
18020	18020-1053	BAFFLE	1				
21119	21119-1038	IGNITER	1				
21121	21121-1017	COIL,IGNITION,#1.6	1				
21121A	21121-1018	COIL,IGNITION,#2.5	1				
21121B	21121-1019	COIL,IGNITION,#3.4	1				
21130	21130-1010	CAP-SPARK PLUG	4				
21160	21160-1014	CAP SPARK PLUG	2				
28018	28018-1014	RESISTOR,IGNITIN,COIL	1				
59026	59026-1015	COIL-PULSING	1				
92015	92015-1078	NUT-6MM	6				
92070	BP6ES	SPARK PLUG BP6ES	6	X			US
92070A	BPR6ES	SPARK PLUG BPR6ES	6			X	CN
92070B	BP7ES	SPARK PLUG BP7ES	AR	X			US
92070C	BPR7ES	SPARK PLUG BPR7ES	AR			X	CN
92071	21131-004	GROMMET-PLUG CAP,A	2				
92071A	21131-005	GROMMET,HIGH TENSION	4				
92071B	21131-006	GROMMET,PLUG CAP	4				
92071C	21132-005	GROMMET,SPARK PLG CAP	2				

KZ1300-A4 / IGNITION SWITCH/LOCKS/REFLECTORS

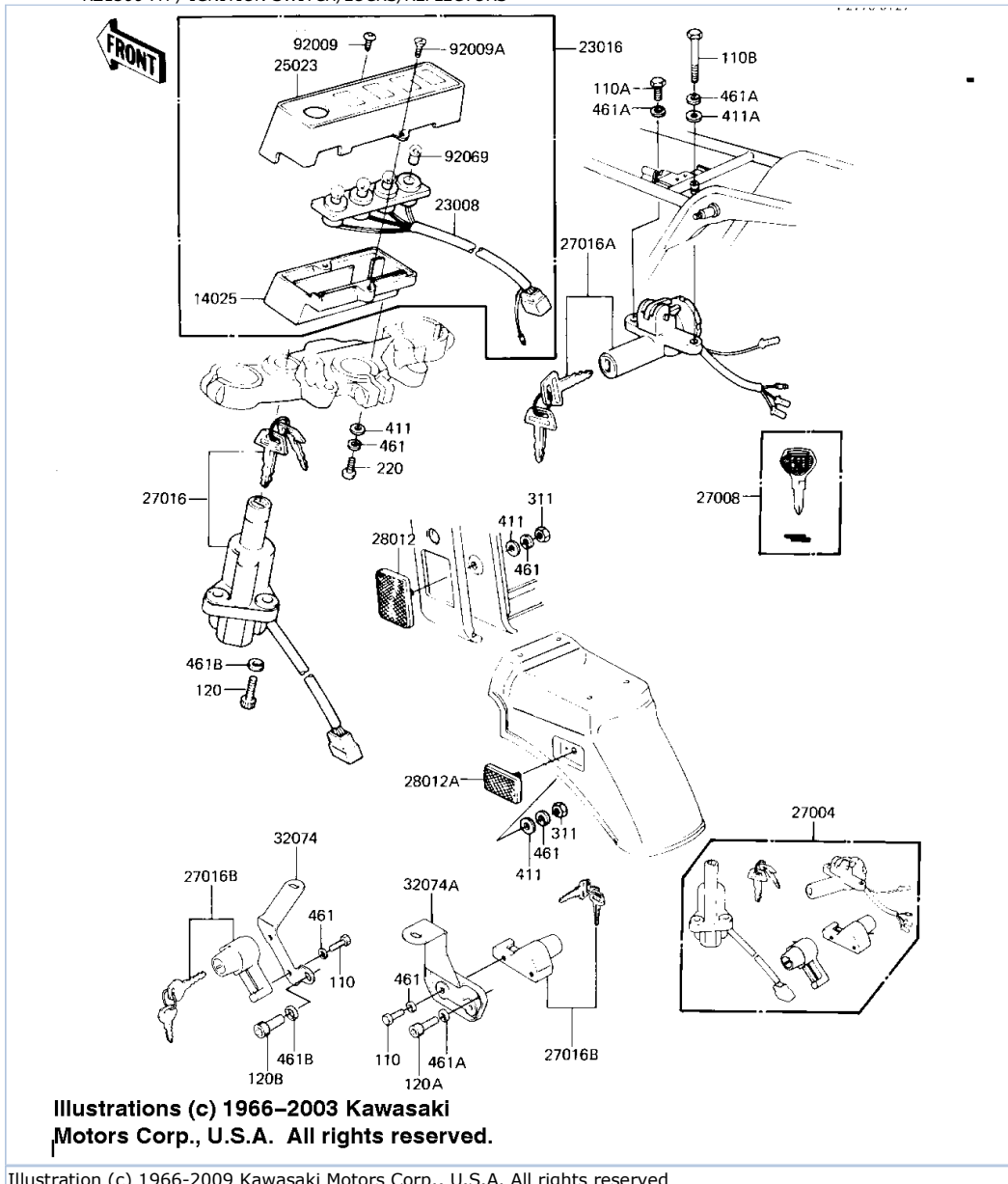


Illustration (c) 1966-2009 Kawasaki Motors Corp., U.S.A. All rights reserved

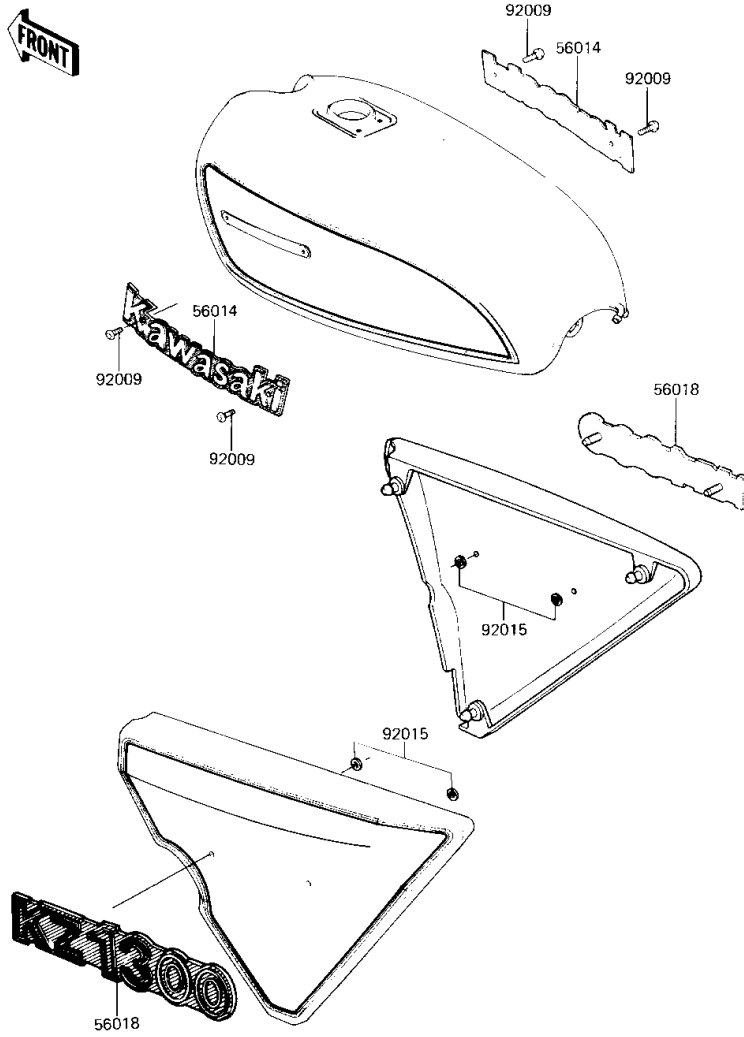
## Part List

KZ1300-A4 / IGNITION SWITCH/LOCKS/REFLECTORS

REF NUMBER	PART NUMBER	DESCRIPTION	QUANTITY	US	CA	CN	REMARKS
110	110B0510	BOLT HEX HEAD 5X10	4				
110A	112G0612	BOLT-UPSET,6X12	1				
110B	110G0650	BOLT,HEX HEAD,6X50	1				
120	120P0822	BOLT,SOCKET,8X22	2				
120A	120S0610	BOLT-SOCKET	1				
120B	120S0814	BOLT-SOCKET	1				
220	214B0516A	SCREW-5X16	2				
311	311B0500	NUT,5MM	4				
411	411B0500	WASHER PLAIN 5MM	6				
411A	411B0600	WASHER PLAIN 6MM	1				
461	461F0500	WASHER SPRING 5MM	10				
461A	461F0600	WASHER SPRING 6MM	3				
461B	461F0800	WASHER SPRING 8MM	3				
14025	14025-1117	COVER,PILOT LAMP,LOWE	1				
23008	23008-1041	SOCKET ASSY,PILOT LAM	1				
23016	23016-1014	LAMP ASSY,PILOT	1				
25023	25023-1014	COVER,PILOT LAMP,UPPE	1				
27004	27004-5371	SWITCH-ASSY	1				
27008	27008-1103	KEY-LOCK,BLANK	1				(OPTION)
27016	27016-5026	IGNITION&STEERING ASY	1				
27016A	27016-5027	LOCK ASSY,SEAT	1				
27016B	27016-5036	LOCK ASSY,HELMET	2				
28012	28012-1003	REFLECTOR,REFLEX(FRON	2				
28012A	28012-1054	REFLECTOR-REFLEX,RR	2				
32074	32074-1020	BRACKET-LOCK,HLMT,LH	1				
32074A	32074-1021	BRACKET-LOCK,HLMT,RH	1				
92009	92009-1073	SCREW,TAPPING,3.5X10	1				
92009A	92009-1074	SCREW,CNTSNK HED,4X10	1				
92069	92069-018	BULB 12V 3W	4				

KZ1300-A4 / LABELS

F2860-0125



Illustrations (c) 1966-2003 Kawasaki Motors Corp., U.S.A. All rights reserved.

Illustration (c) 1966-2009 Kawasaki Motors Corp., U.S.A. All rights reserved

## Part List

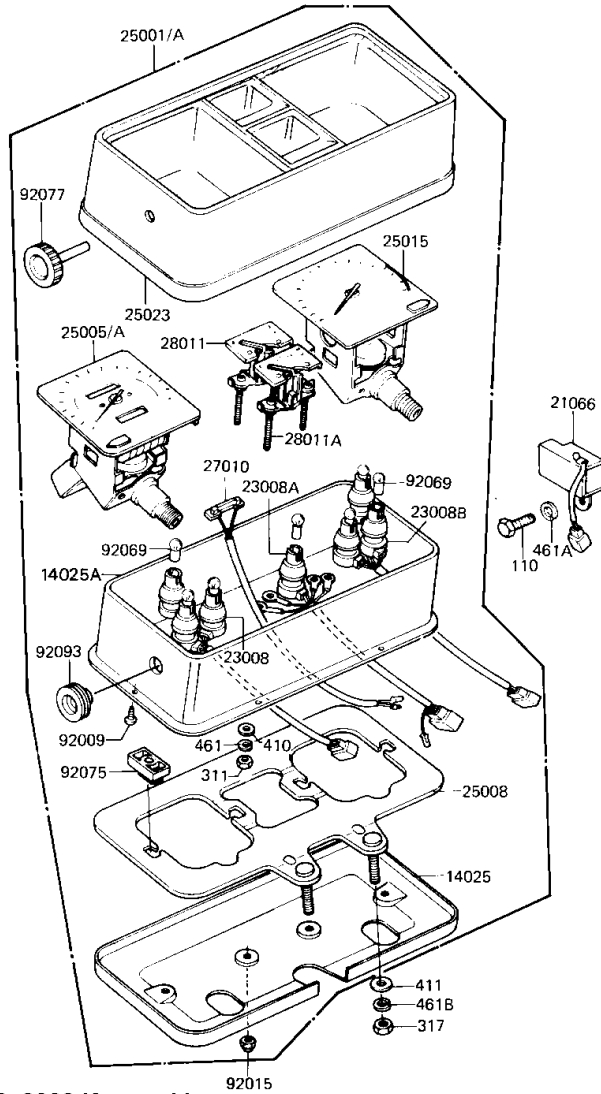
KZ1300-A4 / LABELS

REF NUMBER	PART NUMBER	DESCRIPTION	QUANTITY	US	CA	CN	REMARKS
56014	56014-1043	EMBLEM,FUEL TANK	2				
92009	221C0306	SCREW-CSK-CROS	4				
92015	92018-005	NUT,LOCK,3MM	4				
96018	56018-1220	MARK,SIDE COVER	2				



KZ1300-A4 / METERS

F2530-0135



Illustrations (c) 1966-2003 Kawasaki Motors Corp., U.S.A. All rights reserved.

Illustration (c) 1966-2009 Kawasaki Motors Corp., U.S.A. All rights reserved

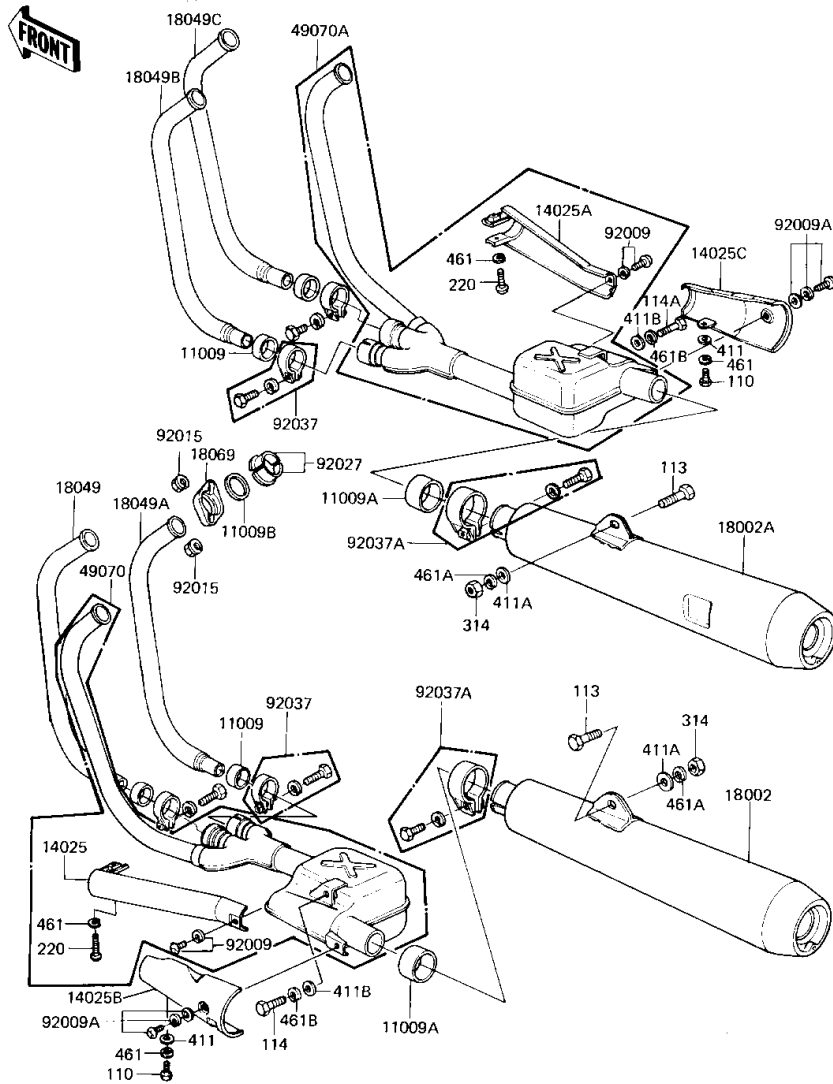
## Part List

KZ1300-A4 / METERS

REF NUMBER	PART NUMBER	DESCRIPTION	QUANTITY	US	CA	CN	REMARKS
110	112G0612	BOLT-UPSET,6X12	1				
311	311B0400	NUT,4MM	8				
317	317B0800	NUT,8M/M	2				
410	410B0400	WASHER PLAIN 4MM	4				
411	411B0800	WASHER PLAIN 8MM	2				
461	461F0400	WASHER SPRING 4MM	8				
461A	461F0600	WASHER SPRING 6MM	1				
461B	461F0800	WASHER SPRING 8MM	2				
14025	14025-1098	COVER,METER,LOWER	1				
14025A	14025-1805	COVER,METER CASE	1				
21066	21066-1006	REGULATOR,VOLTAGE	1				
23008	23008-1132	SOCKET-ASSY,SPEEDOMET	1				
23008A	23008-1133	SOCKET-ASSY,FUEL METE	1				
23008B	23008-1134	SOCKET-ASSY,TACHOMETE	1				
25001	25001-1296	METER-ASSY,MPH	1	X			US
25001A	25001-1297	METER-ASSY,KPHX1000RPM (Canada)	1			X	CN
25005	25005-1051	SPEEDOMETER UNIT,KPH (Canada)	1			X	CN
25005A	25005-1069	SPEEDOMETER UNIT,MPH	1	X			US
25008	25008-1015	BRACKET,METER	1				
25015	25015-1037	TACHOMETER UNIT	1				
25023	25023-1010	COVER,METER,UPPER	1				
27010	27010-1032	SENSOR,DISTANCE	1				
28011	28011-1003	METER,FUEL	1				
28011A	28011-1007	METER,TEMPERATURE	1				
92009	92008-012	SCREW,TAPPING	6				
92015	322C0500	NUT-CAP,5MM	4				
92069	92069-1007	BULB,12V3.4W	7				
92075	92075-1140	DAMPER,METER BRACKET	4				
92077	92077-1008	KNOB,TRIP	1				
92093	92093-1029	SEAL,TRIP KNOB	1				

KZ1300-A4 / MUFFLERS

E1140-0101



Illustrations (c) 1966-2003 Kawasaki Motors Corp., U.S.A. All rights reserved.

Illustration (c) 1966-2009 Kawasaki Motors Corp., U.S.A. All rights reserved

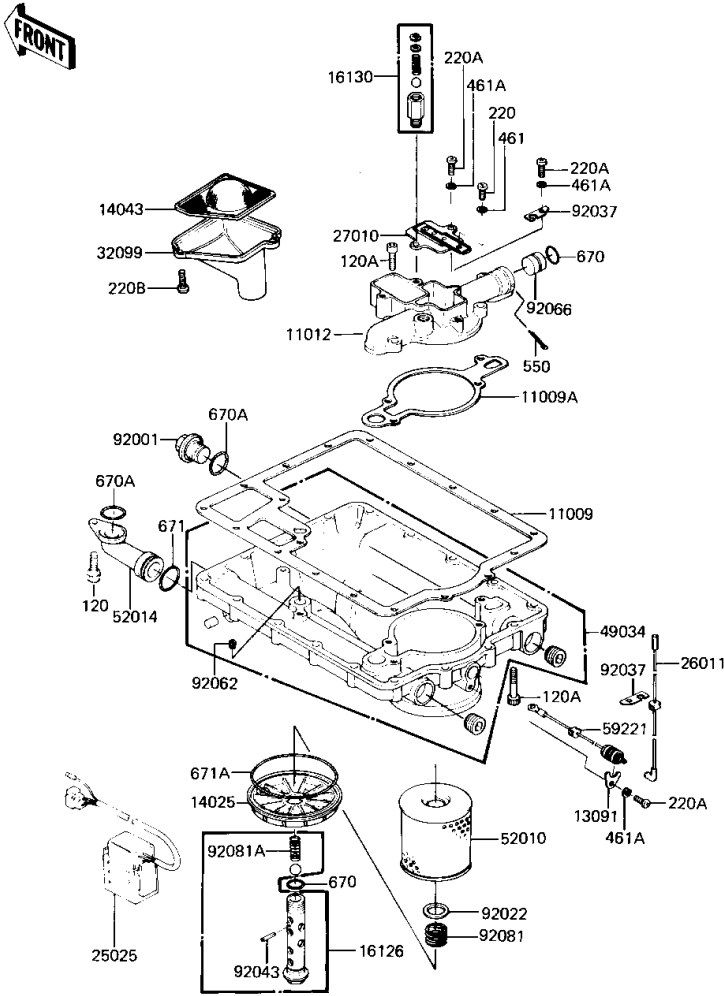
## Part List

KZ1300-A4 / MUFFLERS

REF NUMBER	PART NUMBER	DESCRIPTION	QUANTITY	US	CA	CN	REMARKS
110	112G0612	BOLT-UPSET,6X12	2				
113	92001-1253	BOLT,HEX HEAD 10X40	2				
114	114N0825	BOLT,8X25	1				
114A	114N0855	BOLT,8X55	1				
220	220B0640	SCREW PAN HEAD 6X40	2				
314	314B1000	NUT,10MM	2				
411	411B0600	WASHER PLAIN 6MM	2				
411A	411B1000	WASHER PLAIN 10MM	2				
411B	411D0800	WASHER,PLAIN,8MM	2				
461	461F0600	WASHER SPRING 6MM	4				
461A	461F1000	WASHER SPRING 10MM	2				
461B	461S0800	WASHER SPRING 8MM	2				
11009	11060-1051	GASKET,MUFFLER CONNEC	4				
11009A	11009-1666	GASKET,EXHAUST PIPE C	2				
11009B	11009-1866	GASKET,EXHAUST PIPE H	6				
14025	14025-1147	COVER,MUFFLER,L.H,FR	1				
14025A	14025-1148	COVER,MUFFLER,R.H,FR	1				
14025B	14025-1149	COVER,MUFFLER,L.H,RER	1				
14025C	14025-1150	COVER,MUFFLER,R.H,RER	1				
18002	18002-1375	BODY-COMP-MUFFLER,LH	1				
18002A	18002-1376	BODY-COMP-MUFFLER,RH	1				
18049	18049-1164	PIPE-EXHAUST,#2	1				
18049A	18049-1165	PIPE-EXHAUST,#3	1				
18049B	18049-1166	PIPE-EXHAUST,#4	1				
18049C	18049-1167	PIPE-EXHAUST,#5	1				
18069	18069-1010	HOLDER,EXHAUST PIPE	6				
49070	49070-1101	MUFFLER-COMP,LH	1				
49070A	49070-1102	MUFFLER-COMP,RH	1				
92009	92009-1088	SCREW,6X12	2				
92009A	92009-1098	SCREW,6X10	2				
92015	92015-1078	NUT-6MM	12				
92027	92027-1142	COLLAR,EXHAUST PIPE	12				
92037	92037-1243	CLAMP,MUFFLER,37MM	4				
92037A	92037-1228	CLAMP,MUFFLER	2				

KZ1300-A4 / OIL PAN/OIL FILTER

E1710-0041



Illustrations (c) 1966-2003 Kawasaki  
Motors Corp., U.S.A. All rights reserved.

Illustration (c) 1966-2009 Kawasaki Motors Corp., U.S.A. All rights reserved

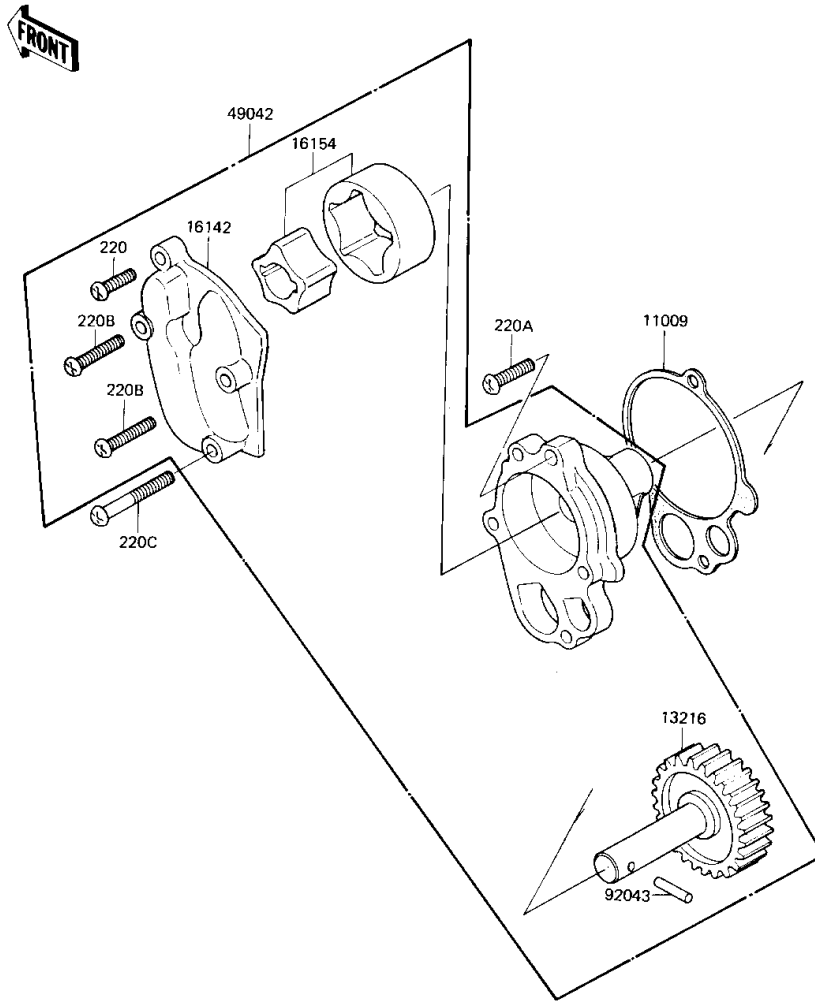
## Part List

KZ1300-A4 / OIL PAN/OIL FILTER

REF NUMBER	PART NUMBER	DESCRIPTION	QUANTITY	US	CA	CN	REMARKS
120	120P0620	BOLT,6X20	1				
120A	120P0635	BOLT,SOCKET,6X35	21				
220	220B0406	SCREW PAN HEAD 4X6	1				
220A	220B0614	SCREW PAN HEAD 6X14	4				
220B	220B0620	SCREW PAN HEAD 6X20	3				
461	461F0400	WASHER SPRING 4MM	1				
461A	461F0600	WASHER SPRING 6MM	4				
550	550D2040	PIN,COTTER,2.0X40	1				
670	670B2016	"O" RING,16MM	2				
670A	670B2022	"O" RING,22MM	2				
671	671B2525	"O" RING,25MM	1				
671A	671B2595	"O" RING,95MM	1				
11009	11009-1093	GASKET,OIL PAN	1				
11009A	11009-1198	GASKET,OIL FILTER CAP	1				
11012	11012-1148	CAP,OIL FILTER	1				
13091	13091-1080	HOLDER	1				
14025	14025-1170	COVER,OIL FILTER	1				
14043	14043-1008	FILTER,OIL	1				
16126	16126-1006	BOLT ASSY,OIL FILTER	1				
16130	16130-1001	RELEAF VALVE ASSY	1				
25025	25025-1003	WARNER,OIL LEVEL	1				
26011	26011-1085	WIRE,LEAD	1				
27010	27010-1038	SWITCH,OIL LEVEL	1				
32099	32099-1017	CASE,OIL FILTER	1				
49034	49034-5005	PAN,OIL	1				
52010	16099-002	ELEMENT,OIL FILTER	1				
52014	52014-1002	ELBOW,OIL PASSAGE	1				
59221	59221-1002	CONNECTOR,OIL SW CORD	1				
92001	92001-1183	PLUG,OIL DRAIN	1				
92022	92022-1012	WASHER,20.5X30X1.0	1				
92037	92037-1211	CLAMP,LEAD WIRE	2				
92043	92043-111	SPRING PIN	1				
92062	92062-011	NOZZLE,OIL BIAS	1				
92066	92066-1023	PLUG,OIL GALLERY,20MM	1				
92081	92081-1018	SPRING,OIL FILTER	1				
92081A	92081-133	SPRING,PISTON	1				

KZ1300-A4 / OIL PUMP

E1710A-0042



Illustrations (c) 1966-2003 Kawasaki Motors Corp., U.S.A. All rights reserved.

Illustration (c) 1966-2009 Kawasaki Motors Corp., U.S.A. All rights reserved

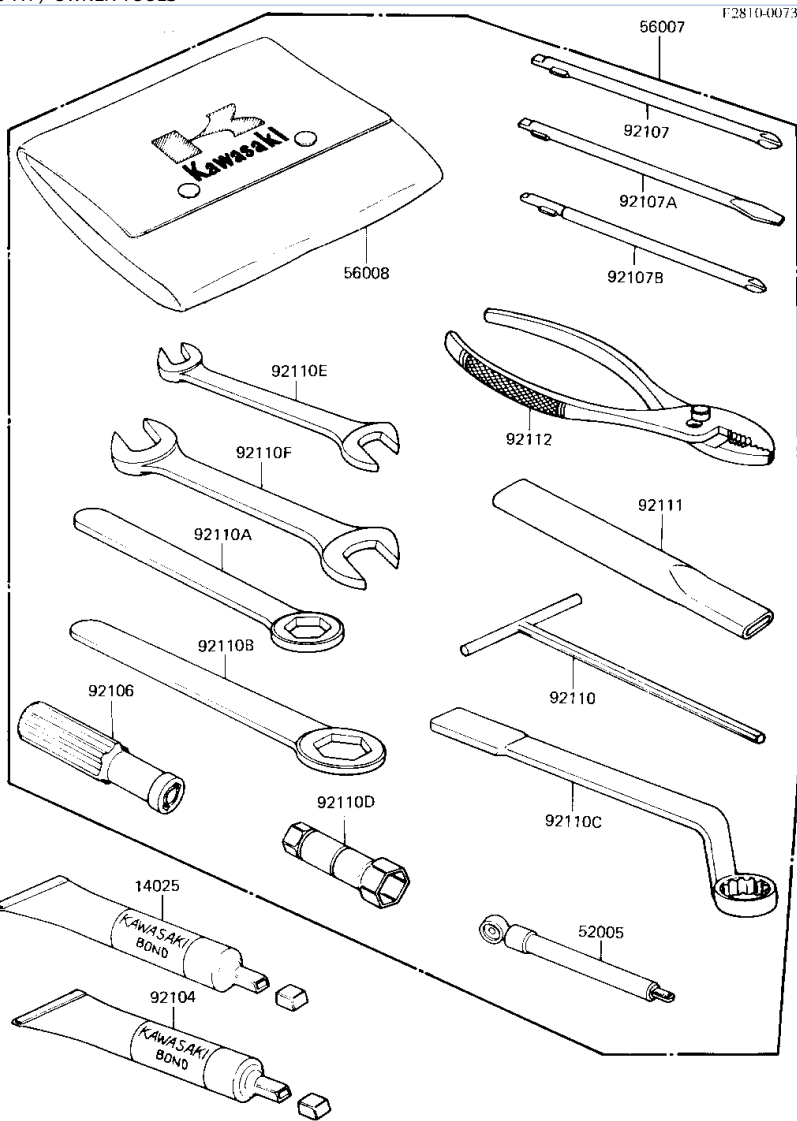
## Part List

KZ1300-A4 / OIL PUMP

REF NUMBER	PART NUMBER	DESCRIPTION	QUANTITY	US	CA	CN	REMARKS
220	220B0618	SCREW PAN HEAD 6X18	1				
220A	220B0625	SCREW PAN HEAD 6X25	1				
220B	220B0628	SCREW PAN HEAD 6X28	2				
220C	220B0640	SCREW PAN HEAD 6X40	1				
11009	11009-1088	GASKET,OIL PUMP	1				
13216	13216-1018	GEAR ASSY,OIL PUMP	1				
16142	16142-1005	COVER,OIL PUMP	1				
16154	16154-1007	ROTOR ASSY,OIL PUMP	1				
49042	49042-1001	PUMP,OIL	1				
92043	92043-1061	PIN,DOWEL 5X17.8	1				



KZ1300-A4 / OWNER TOOLS



Illustrations (c) 1966-2003 Kawasaki Motors Corp., U.S.A. All rights reserved.

Illustration (c) 1966-2009 Kawasaki Motors Corp., U.S.A. All rights reserved

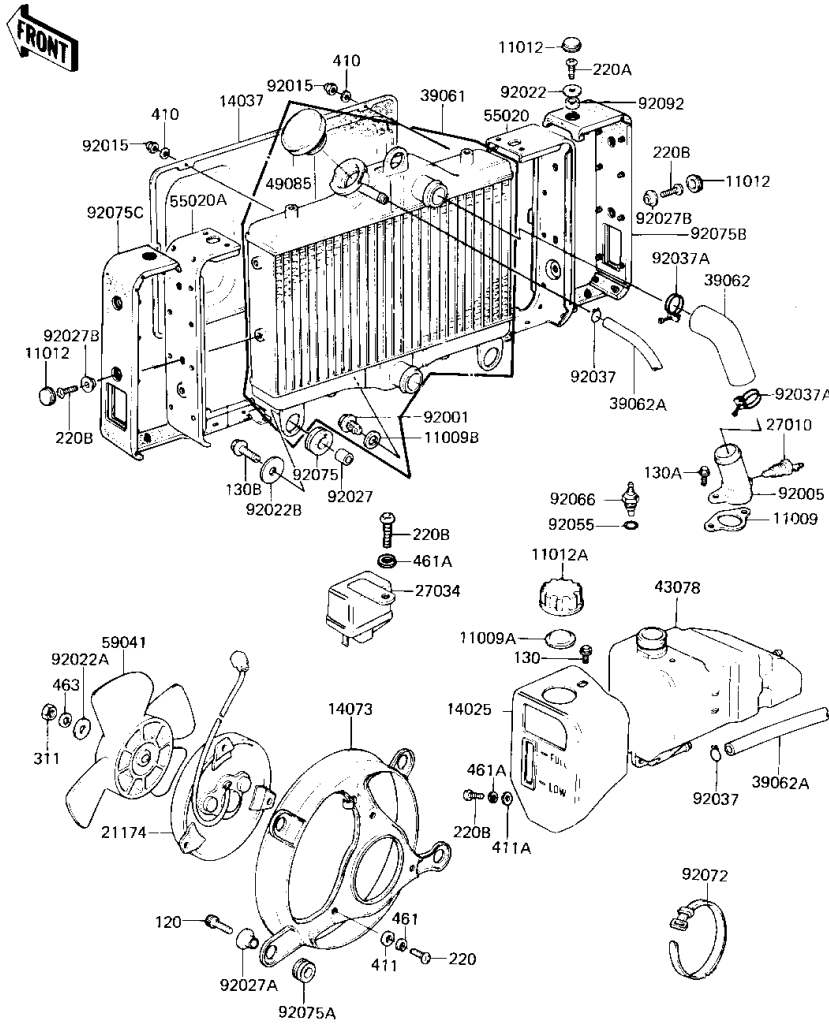
## Part List

KZ1300-A4 / OWNER TOOLS

REF NUMBER	PART NUMBER	DESCRIPTION	QUANTITY	US	CA	CN	REMARKS
14025	56019-120	BOND,#10	1				
52005	52005-1031	GAUGE,AIR,3.5KG/CM2	1				
56007	56007-1130	TOOLKIT	1				
56008	56008-1012	BAG,TOOL	1				
92104	92104-002	LIQUID GASKET	1				
92106	92106-1002	GRIP,SCREW DRIVER	1				
92107	92107-1052	TOOL-DRIVER	1				
92107A	92107-007	92107-1052 (Canada)	1				
92107B	92107-008	92107-1002 (Canada)	1				
92110	92110-1017	WRENCH,ALLEN	1				
92110A	92110-1148	TOOL-WRENCH,BOX END,2	1				
92110B	92110-1150	TOOL-WRENCH,BOX END,2	1				
92110C	92110-1026	WRENCH,17M/M	1				
92110D	92110-1027	WRENCH,SPARK PLUG	1				
92110E	92110-1038	TOOL-WRENCH,OPEN END	1				
92110F	92110-1153	TOOL-WRENCH,OPEN END,	1				
92111	92111-004	TOOL-WRENCH,OPEN END,	1				
92112	92112-003	PLIERS,160MM	1				

KZ1300-A4 / RADIATOR/FAN/COOLANT TANK

E3032-0003



Illustrations (c) 1966-2003 Kawasaki Motors Corp., U.S.A. All rights reserved.

Illustration (c) 1966-2009 Kawasaki Motors Corp., U.S.A. All rights reserved

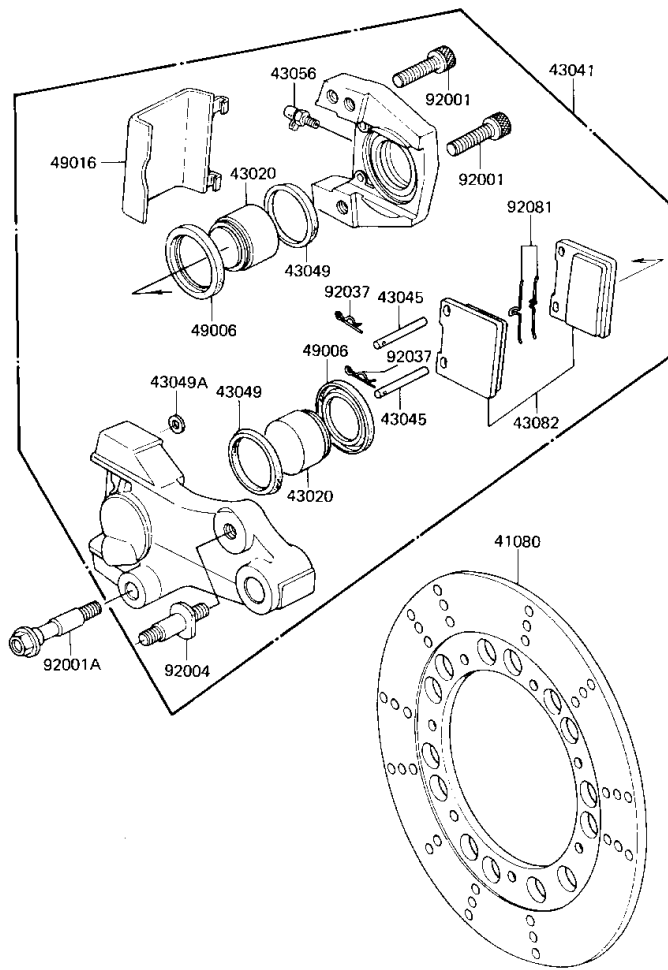
## Part List

KZ1300-A4 / RADIATOR/FAN/COOLANT TANK

REF NUMBER	PART NUMBER	DESCRIPTION	QUANTITY	US	CA	CN	REMARKS
120	120P0620	BOLT,6X20	4				
130	130B0610	BOLT,FLANGED,6X10	1				
130A	130B625	UNAVAILABLE IN PRICE BOOK	2				
130B	130B0825	BOLT,FLANGED,8X25	3				
220	220B0510	SCREW PAN HEAD 5X10	3				
220A	220B0610	SCREW PAN HEAD 6X10	2				
220B	220B0616	SCREW PAN HEAD 6X16	8				
311	311B0500	NUT,5MM	1				
410	410B0600	WASHER PLAIN 6MM	6				
411	411B0500	WASHER PLAIN 5MM	3				
411A	411B0600	WASHER PLAIN 6MM	1				
461	461F0500	WASHER SPRING 5MM	3				
461A	461F0600	WASHER SPRING 6MM	2				
463	463H0500	WASHER LOCK 5MM	1				
11009	11009-1100	GASKET,HOSE FITTING	1				
11009A	11009-1145	GASKET,RESERVE TANK	1				
11009B	11009-1152	GASKET,DRAIN PLUG	1				
11012	11012-1077	CAP,RADIATOR GUARD	6				
11012A	11012-1084	CAP,RESERVE TANK	1				
14025	14025-1152	COVER,RESERVE TANK	1				
14037	14037-1001	SCREEN,RADIATOR	1				
14073	14073-1014	SHROUD,FAN	1				
21174	21174-1001	MOTOR,FAN	1				
27010	27010-1036	SWITCH,FAN	1				
27034	27034-1002	RELAY,FAN	1				
39061	39061-1053	RADIATOR-ASSY	1				
39062	39062-1002	HOSE,COOLING,RADIATOR	1				
39062A	39062-1003	HOSE,COOLNG,7X12X1500	1				
43078	43078-1007	TANK,RESERVE	1				
49085	49085-1051	CAP-ASSY-PRESSURE	1				
55020	55020-1036	GUARD,RADIATOR,R.H	1				
55020A	55020-1037	GUARD,RADIATOR,L.H	1				
59041	59041-1001	FAN,COOLING	1				
92001	92002-1682	BOLT,RADIATOR DRAIN	1				
92005	92005-1012	FITTING,UPPER HOSE	1				
92015	322C0600	NUT-CAP,6MM,BLACK	6				
92022	42046-008	WASHER SHOCK DAMPER	2				
92022A	92022-1089	WASHER,FAN	1				
92022B	92022-298	WASHER,PLAIN	3				
92027	92027-1141	COLLAR,12.7X15.9X12.5	3				
92027A	92027-1188	COLLAR,FAN	4				
92027B	92027-1189	COLLAR,RADIATOR GUARD	6				
92037	92037-1104	CLAMP-HOSE	2				
92037A	92037-1177	CLAMP,HOSE	2				
92055	92055-073	"O" RING,13.5MM	1				
92066	92066-1028	SENDER,WATER TEMPRATR	1				
92072	92072-056	BAND,WIRING HARNESS	1				
92075	92075-1127	DAMPER,RADIATOR	3				
92075A	92075-1167	DAMPER,FAN	4				
92075B	92075-1210	DAMPER,RADIATOR,R.H	1				
92075C	92075-1211	DAMPER,RADIATOR,L.H	1				
92092	92092-1005	BUSHING,RBR,14X22X8.5	2				

KZ1300-A4 / REAR BRAKE

F 2294-0007



Illustrations (c) 1966-2003 Kawasaki Motors Corp., U.S.A. All rights reserved.

Illustration (c) 1966-2009 Kawasaki Motors Corp., U.S.A. All rights reserved

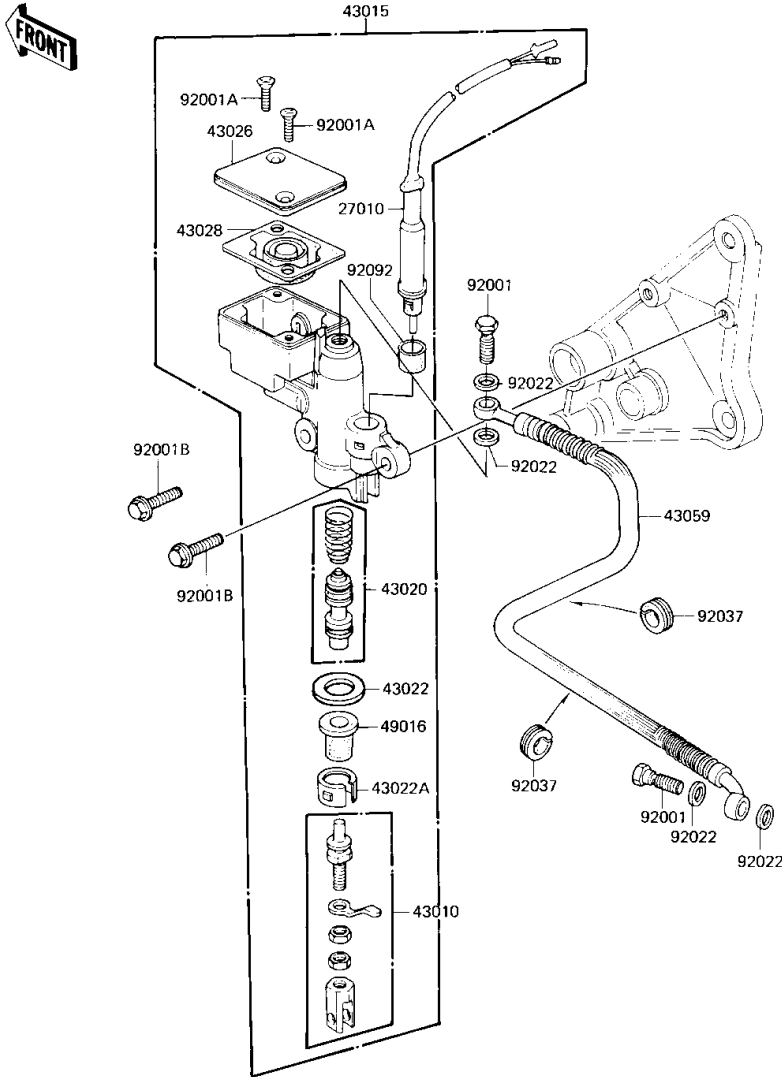
## Part List

KZ1300-A4 / REAR BRAKE

REF NUMBER	PART NUMBER	DESCRIPTION	QUANTITY	US	CA	CN	REMARKS
41080	41080-1124	DISC,RR,SILVER	1				
43020	43020-1011	PISTON,BRAKE	2				
43041	43041-1018	CALIPER ASSY,REAR	1				
43045	43045-007	PIN	2				
43049	43049-002	RING,PISTON SEAL	2				
43049A	43049-1004	RING,SEAL6.5X11.5X2.2	1				
43056	43085-001	BLEEDER SET	1				
43082	43082-1024	PAD-ASSY-BRAKE	1				
49006	43054-004	DUST SEAL,PISTON	2				
49016	43024-004	CAP	1				
92001	92001-1071	BOLT,TIE,10X45	2				
92001A	92001-1132	BOLT,REAR CALIPER	1				
92004	92004-1020	STUD	1				
92037	43084-003	CLIP	2				
92081	43086-002	SPRING	2				

KZ1300-A4 / REAR MASTER CYLINDER

F2293-0023



Illustrations (c) 1966-2003 Kawasaki Motors Corp., U.S.A. All rights reserved.

Illustration (c) 1966-2009 Kawasaki Motors Corp., U.S.A. All rights reserved

## Part List

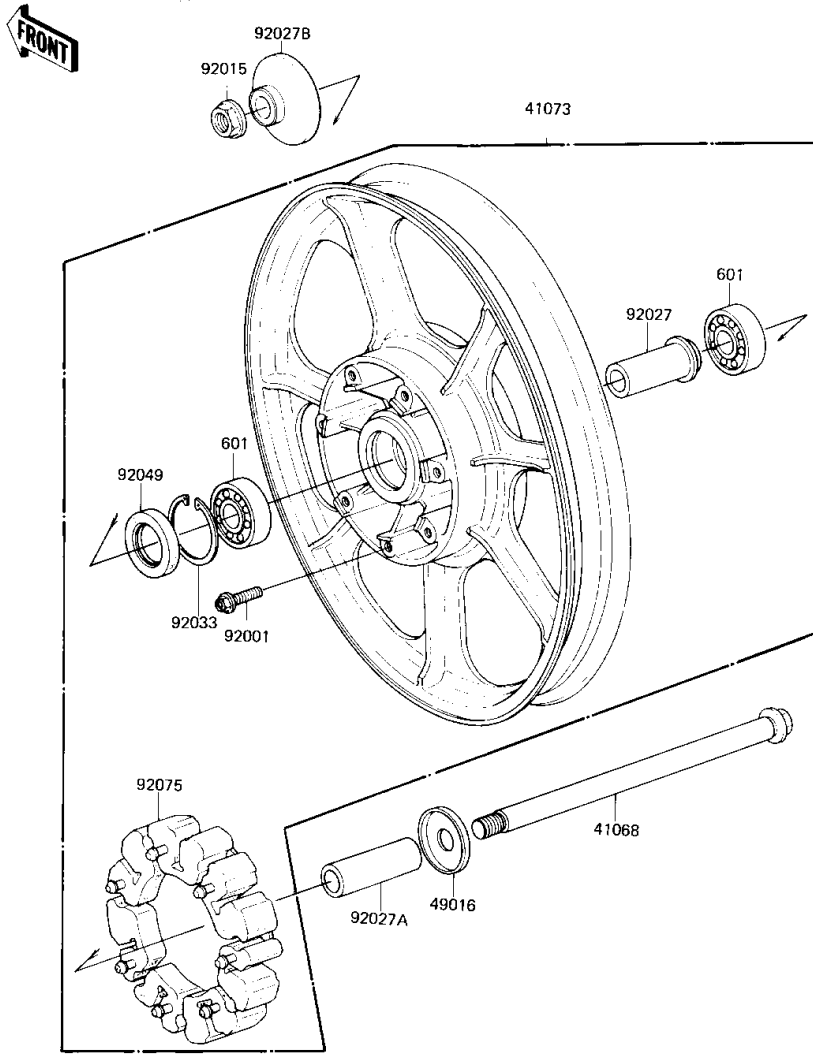
KZ1300-A4 / REAR MASTER CYLINDER

REF NUMBER	PART NUMBER	DESCRIPTION	QUANTITY	US	CA	CN	REMARKS
27010	27010-1027	SWITCH,REAR BRAKE	1				
43010	43010-1001	ROD ASSY,BRAKE	1				
43015	43015-1062	CYLINDER ASSY,REAR	1				
43020	43020-1024	PISTON-COMP-BRAKE	1				
43022	43022-1002	STOPPER,PISTON	1				
43022A	43022-1003	STOPPER,DUST COVER	1				
43026	43026-1013	CAP,OIL CUP	1				
43028	43028-1007	DIAPHRAGM	1				
43059	43059-1177	HOSE-BRAKE,L=620	1				
49016	49016-1026	DUST COVER	1				
92001	92002-1888	BOLT,OIL,L=23	2				
92001A	92001-1055	SCREW,COUNTERSUNK HED	2				
92001B	92001-1095	BOLT,8X28	2				
92022	43067-001	WASHER-OIL BOLT	4				
92037	43064-007	DAMPER RUBBER	2				
92092	92092-1007	BUSHING	1				



KZ1300-A4 / REAR WHEEL/HUB

F2240-0077



Illustrations (c) 1966-2003 Kawasaki Motors Corp., U.S.A. All rights reserved.

Illustration (c) 1966-2009 Kawasaki Motors Corp., U.S.A. All rights reserved

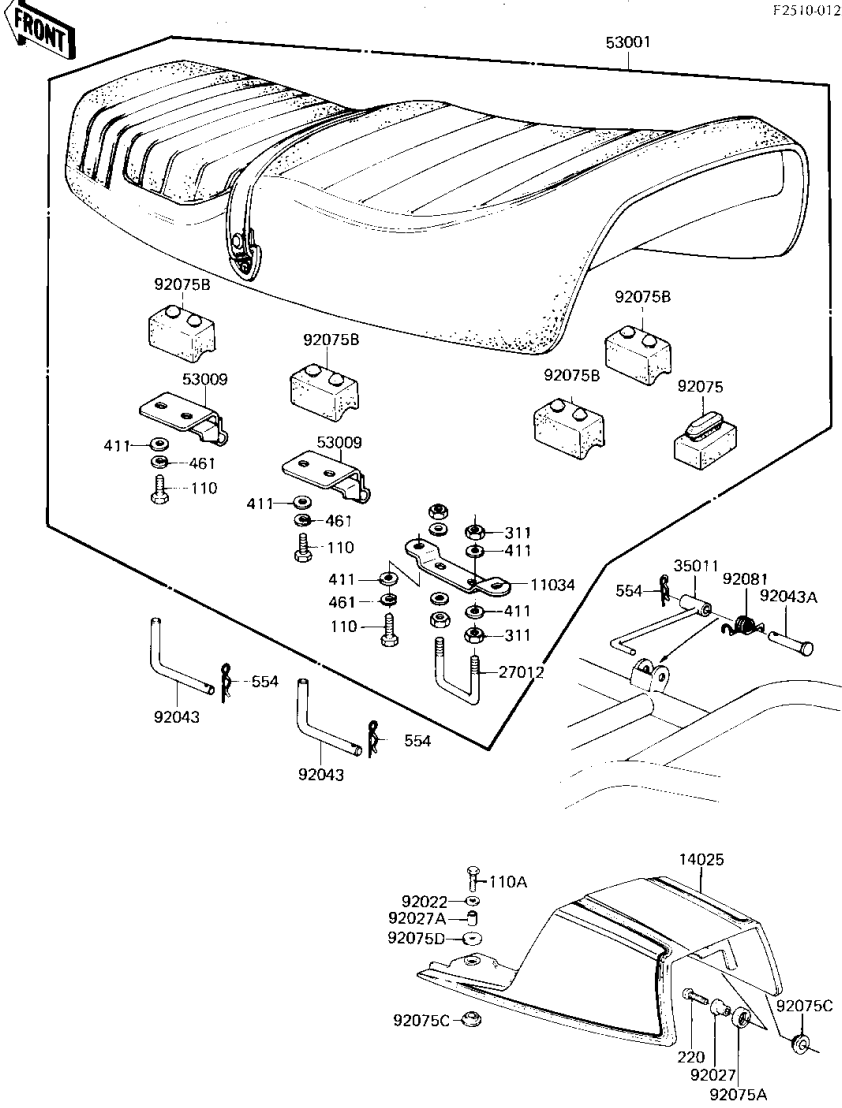
## Part List

KZ1300-A4 / REAR WHEEL/HUB

REF NUMBER	PART NUMBER	DESCRIPTION	QUANTITY	US	CA	CN	REMARKS
601	601B6304Z	BALL BEARING,#6304Z	2				
41068	41068-1017	AXLE,REAR	1				
41073	41073-1024	SOLID WHEEL ASSY,REAR	1				
49016	49016-1019	COVER	1				
92001	92001-1095	BOLT,8X28	7				
92015	92015-2186	NUT,FLANGED,18MM	1				
92027	92027-1124	COLLAR	1				
92027A	92027-1126	COLLAR	1				
92027B	92027-1127	COLLAR,FRONT AXLE	1				
92033	92033-1043	RING,SNAP,56.2M/M	1				
92049	92049-1021	OIL SEAL	1				
92075	92075-1098	SHOCK DAMPER,REAR HUB	1				

KZ1300-A4 / SEAT/SEAT COVER

F2510-0122



Illustrations (c) 1966-2003 Kawasaki Motors Corp., U.S.A. All rights reserved.

Illustration (c) 1966-2009 Kawasaki Motors Corp., U.S.A. All rights reserved

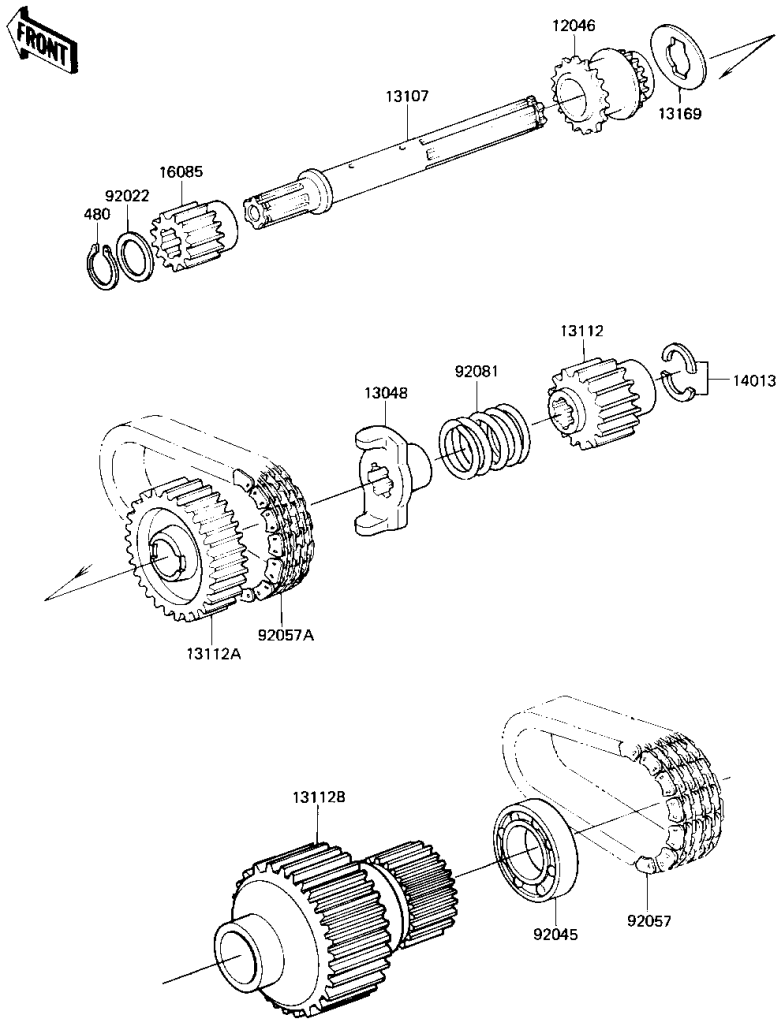
## Part List

KZ1300-A4 / SEAT/SEAT COVER

REF NUMBER	PART NUMBER	DESCRIPTION	QUANTITY	US	CA	CN	REMARKS
110	110B0614	BOLT HEX HD 6X14	6				
110A	110B0622	BOLT HEX HD 6X22	2				
220	220B0625	SCREW PAN HEAD 6X25	2				
311	311B0600	NUT 6MM	4				
411	411B0600	WASHER PLAIN 6MM	10				
461	461F0600	WASHER SPRING 6MM	6				
554	554A0600	PIN,SNAP	3				
11034	53058-001	BRACKET, SEAT CATCH	1				
14025	14025-5049-8G	COVER,SEAT,EBONY	1				
27012	53056-002	CATCH, SEAT	1				
35011	35011-1018	STAY,SEAT STAND	1				
53001	53001-1358	DESC-SEAT-ASSY,DUAL	1				
53009	53009-1011	HINGE,SEAT	2				
92022	92022-228	WASHER,PLAIN,7MM	2				
92027	92027-1122	COLLAR,SEAT COVER	2				
92027A	92027-162	COLLAR,REAR FENDER	2				
92043	92043-1021	PIN,SEAT PIVOT	2				
92043A	92043-1045	PIN,SEAT STAND	1				
92075	92075-099	DAMPER RUBBER	1				
92075A	92075-1097	DAMPER,SEAT COVER FIT	2				
92075B	92075-139	DAMPER RUBBER,SEAT	4				
92075C	92075-174	RUBBER,FENDER COVER	4				
92075D	92075-175	DAMPER RUBBER	2				
92081	92081-1100	SPRING,SEAT STAND	1				

KZ1300-A4 / SECONDARY SHAFT

E1322-0003



Illustrations (c) 1966-2003 Kawasaki Motors Corp., U.S.A. All rights reserved.

Illustration (c) 1966-2009 Kawasaki Motors Corp., U.S.A. All rights reserved

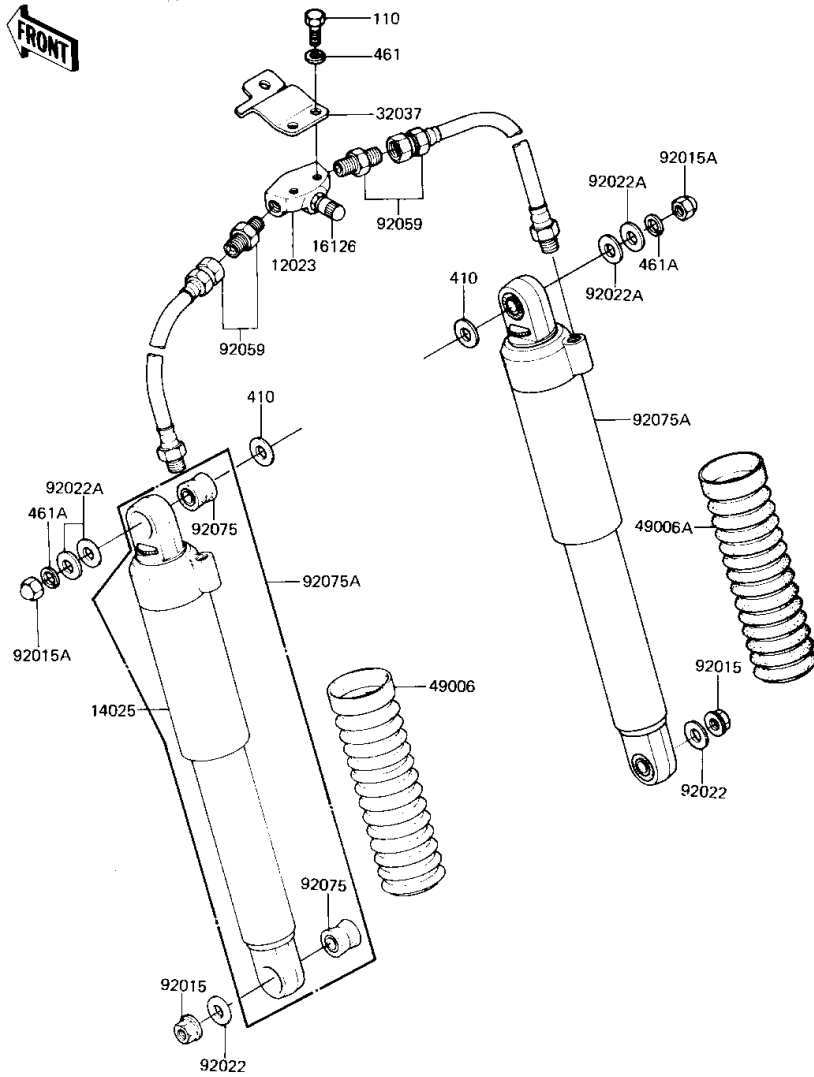
## Part List

KZ1300-A4 / SECONDARY SHAFT

REF NUMBER	PART NUMBER	DESCRIPTION	QUANTITY	US	CA	CN	REMARKS
480	480J2500	CIRCLIP,25M/M	1				
12046	12046-1011	SPROCKET,TIMING,28,24	1				
13048	13048-1015	CAM-DAMPER	1				
13107	13107-1007	SHAFT,SECONDARY	1				
13112	13112-1002	SPROCKET,SECOND,DRIVE	1				
13112A	13112-1008	SPROCKET-PRIMARY,32T	1				
13112B	13112-1009	SPROCKET-PRIMARY,25T	1				
13169	13169-1327	PLATE,25X54X1.2	1				
14013	14013-1001	RING,POSITON	2				
16085	16085-1004	GEAR,OIL PUMP DRIVE	1				
92022	92022-1109	WASHER,25.3X33X1.0	1				
92045	92045-1015	BEARING,BALL,#6009	1				
92057	92057-1017	CHAIN,SECONDARY	1				
92057A	92057-1075	CHAIN,PRIMARY,50L	1				
92081	92081-1085	SPRING,CAM FOLLOWER	1				

KZ1300-A4 / SHOCK ABSORBERS

F2150-0013



Illustrations (c) 1966-2003 Kawasaki Motors Corp., U.S.A. All rights reserved.

Illustration (c) 1966-2009 Kawasaki Motors Corp., U.S.A. All rights reserved

## Part List

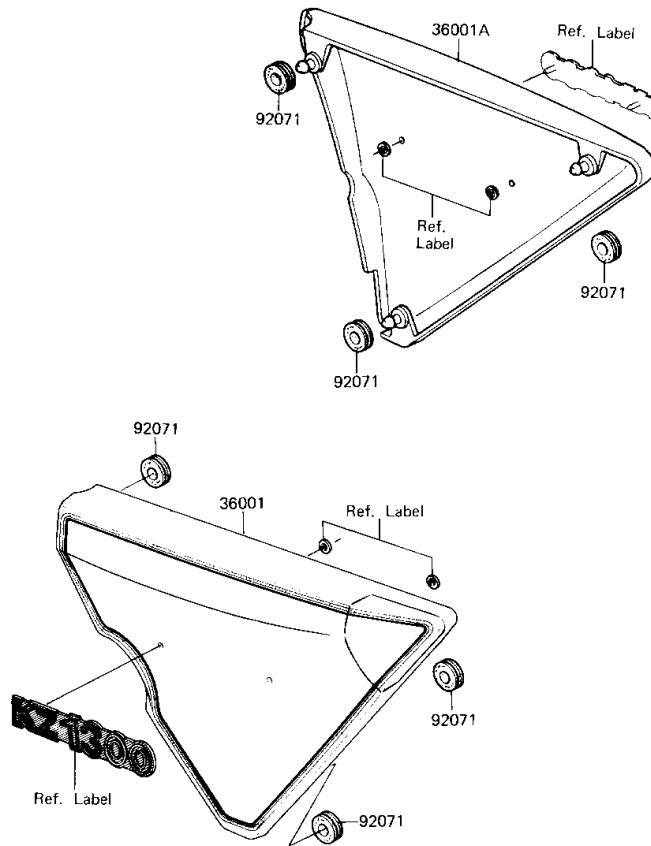
KZ1300-A4 / SHOCK ABSORBERS

REF NUMBER	PART NUMBER	DESCRIPTION	QUANTITY	US	CA	CN	REMARKS
110	112B0614	BOLT-UPSET 6X14	2				
410	410B1400	WASHER PLAIN 14MM	2				
461	461F0600	WASHER SPRING 6MM	2				
461A	461F1200	WASHER SPRING 12MM	2				
12023	12023-1012	HOLDER-VALVE,AIR	1				
14025	14025-1298	COVER,DAMPER,RR	2				
16126	16126-1052	VALVE AIR	1				
32037	32037-1138	BRACKET-SHCKBSRBR,RR	1				
49006	49006-1155	BOOT,DAMPER	1				
49006A	49006-1155	BOOT,DAMPER	1				
92015	92015-1415	NUT,10MM	2				
92015A	92020-014	NUT 12MM	2				
92022	92022-1193	WASHER,10.5X30X2.3	2				
92022A	92022-1239	WASHER,12.4X28X2.3	4				
92059	92059-1168	TUBE	2				
92075	92075-1141	BUSHING,SHOCK ABSORBE	4				
92075A	92075-1294	SHOCK ABSORBER,REAR	2				



KZ1300-A4 / SIDE COVERS

F2610-0124



Illustrations (c) 1966-2003 Kawasaki  
Motors Corp., U.S.A. All rights reserved.

Illustration (c) 1966-2009 Kawasaki Motors Corp., U.S.A. All rights reserved

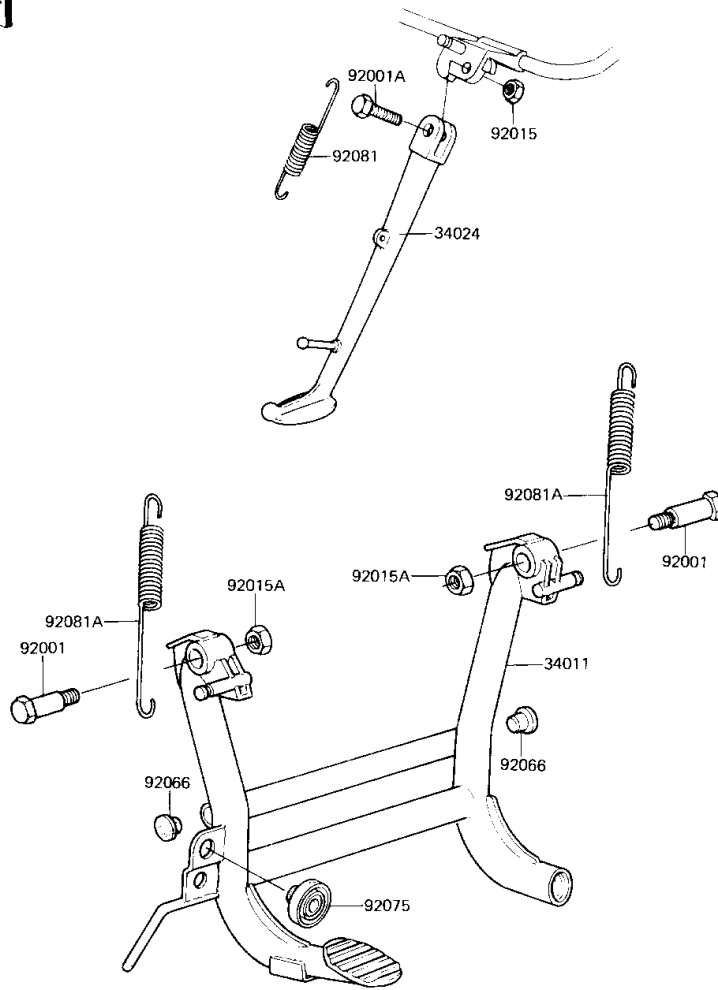
## Part List

KZ1300-A4 / SIDE COVERS

REF NUMBER	PART NUMBER	DESCRIPTION	QUANTITY	US	CA	CN	REMARKS
36001	36001-5061-H8	COVER-SIDE,LH,EBONY	1				
36001A	36001-5062-H8	COVER-SIDE,RH,EBONY	1				
92071	92071-056	GROMMET	6				

KZ1300-A4 / STANDS

F2190-0084



Illustrations (c) 1966-2003 Kawasaki Motors Corp., U.S.A. All rights reserved.

Illustration (c) 1966-2009 Kawasaki Motors Corp., U.S.A. All rights reserved

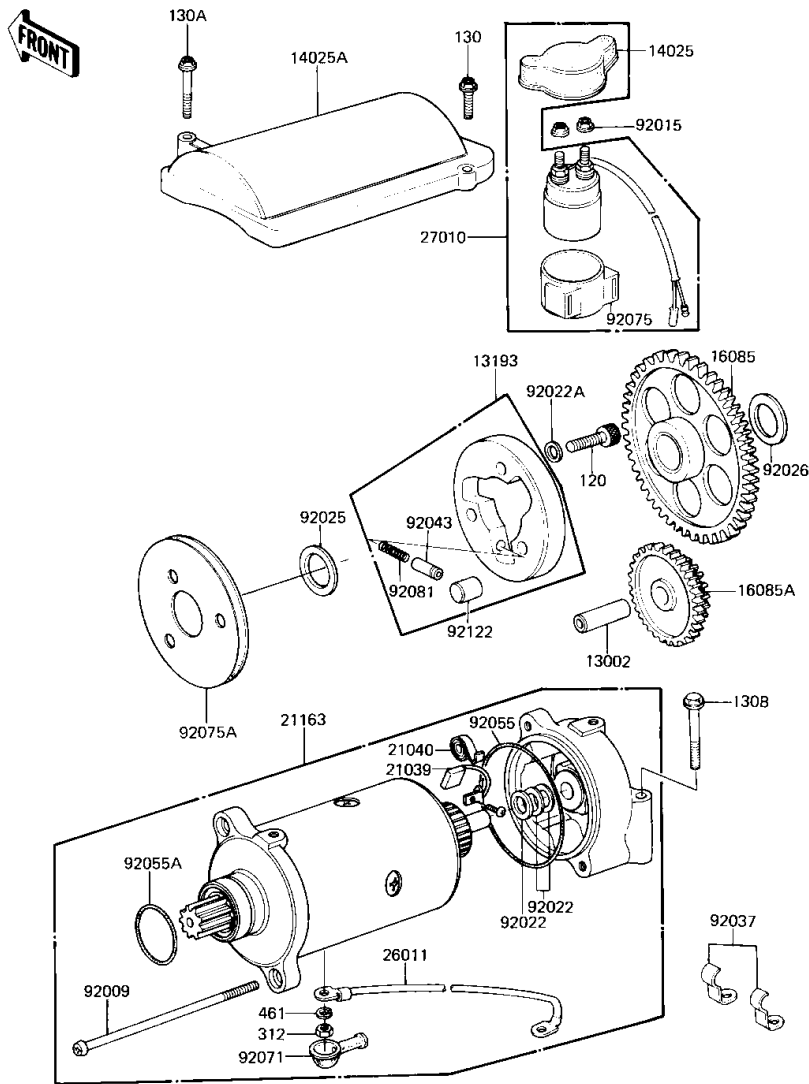
## Part List

KZ1300-A4 / STANDS

REF NUMBER	PART NUMBER	DESCRIPTION	QUANTITY	US	CA	CN	REMARKS
34011	34011-1021	STAND-MAIN	1				
34024	34024-1046	STAND-SIDE	1				
92001	92001-1214	BOLT,MAIN STAND FITTI	2				
92001A	92001-1339	BOLT,SIDE STAND FITT	1				
92015	92019-009	NUT-LOCK,12MM	1				
92015A	92019-021	NUT,LOCK,10MM	2				
92066	92066-1034	PLUG,FRAME END	2				
92075	92075-015	DAMPER RUBB MAIN STAD	1				
92081	34025-005	SPRING,SIDE STAND	1				
92081A	92081-1154	SPRING,MAIN STAND	2				

KZ1300-A4 / STARTER MOTOR/STARTER CLUTCH

E1840-0027



Illustrations (c) 1966-2003 Kawasaki Motors Corp., U.S.A. All rights reserved.

Illustration (c) 1966-2009 Kawasaki Motors Corp., U.S.A. All rights reserved

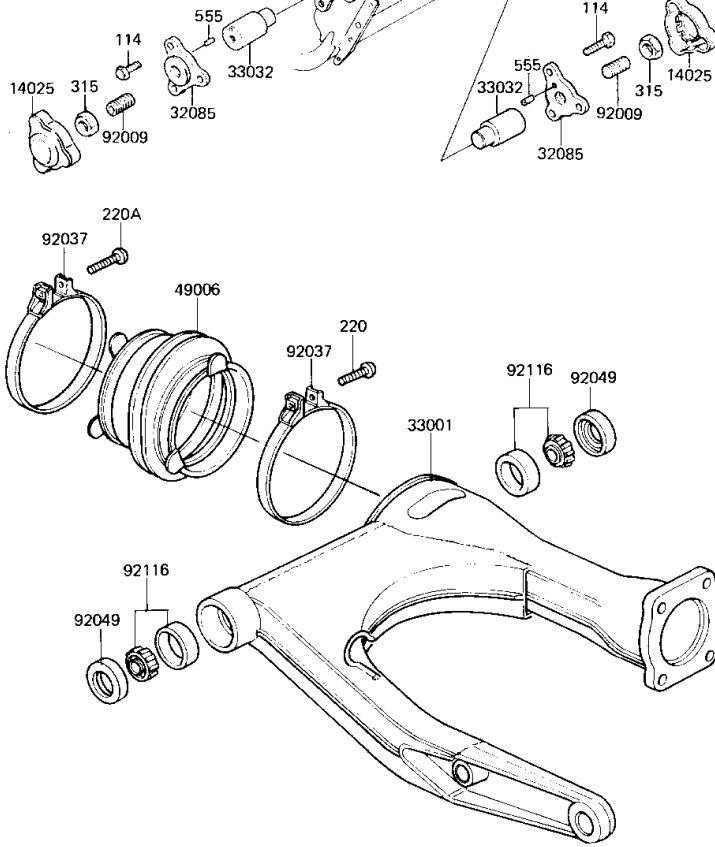
## Part List

KZ1300-A4 / STARTER MOTOR/STARTER CLUTCH

REF NUMBER	PART NUMBER	DESCRIPTION	QUANTITY	US	CA	CN	REMARKS
120	120P0825	BOLT,SOCKET,8X25	3				
130	130B0625	BOLT,FLANGED,6X25	1				
130A	130B0640	BOLT,FLANGED,6X40	1				
130B	130G0655	BOLT,FLANGED,6X55	2				
13002	13002-019	PIN-PISTON	1				
13193	13193-1012	CLUTCH-ASSY-ONEWAY	1				
14025	14025-1165	COVER,MAGNETIC SWITCH	1				
14025A	14025-1752	COVER,STARTER MOTOR	1				
16085	16085-1010	GEAR,STARTER CLUTCH	1				
16085A	16085-1011	GEAR,STARTER REDUCTON	1				
21039	21039-003	CARBON BRUSH	2				
21040	21040-003	SPRING,CARBON BRUSH	2				
21163	21163-1030	STARTER-ELECTRIC	1				
26011	26011-1054	WIRE,LEAD,STARTER MTR	1				
27010	27010-1025	SWITCH,MAGNETIC	1				
92009	21015-005	SCREW,PAN HEAD,6X110	2				
92015	92015-1078	NUT-6MM	2				
92022	21025-011	WASHER,THRUST,0.2T	AR				
92022A	92022-1108	WASHER,PLAIN	3				
92025	92025-1019	SHIM,25.3X36X0.3	1				
92026	92026-1059	SPACER,25X34X2.3	1				
92037	92037-1345	CLAMP,LEAD WIRE	2				
92043	92043-087	PIN	3				
92055	21027-003	"0" RING,STARTING MTR	2				
92055A	21027-004	"0" RING,STARTING MTR	1				
92071	21017-017	GROMMET,CORD	1				
92075	21064-002	DAMPER MAG SWITCH SHK	1				
92075A	92075-1390	DAMPER	1				
92081	92081-110	SPRING	3				
92122	92122-004	ROLLER	3				

KZ1300-A4 / SWING ARM

F2140-0124



Illustrations (c) 1966-2003 Kawasaki  
Motors Corp., U.S.A. All rights reserved.

Illustration (c) 1966-2009 Kawasaki Motors Corp., U.S.A. All rights reserved

## Part List

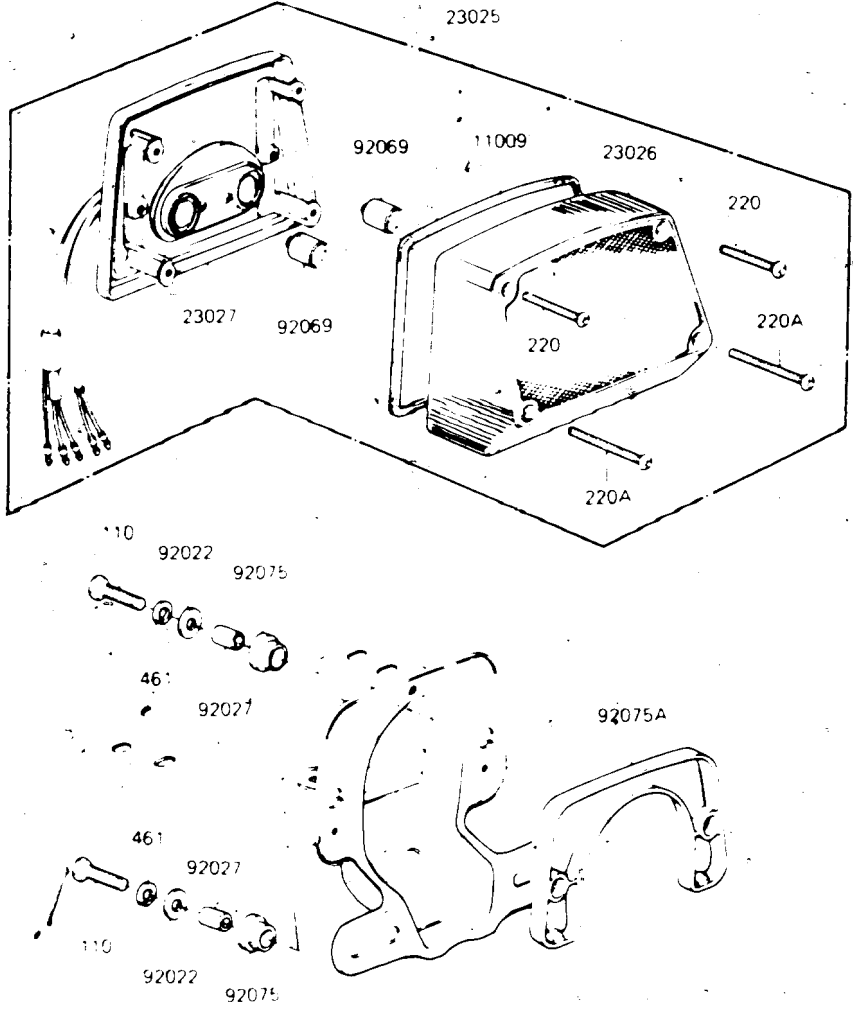
KZ1300-A4 / SWING ARM

REF NUMBER	PART NUMBER	DESCRIPTION	QUANTITY	US	CA	CN	REMARKS
220	220B0420	SCREW-PAN-CROS	1				
220A	220B0430	SCREW-PAN-CROS	1				
315	315B1400	NUT 14MM	2				
555	555A0314	PIN,SPRING,3X14	2				
14025	14025-1087	COVER,SWING ARM	2				
32085	32085-1053	STOPPER,SWING ARM	2				
33001	33001-1026	ARM,SWING	1				
33032	33032-1016	SHAFT,SWING ARM	2				
49006	49006-1020	BOOT,SWING ARM	1				
92009	92009-1087	SCREW,14X22	2				
92037	92037-1097	CLAMP,SWING ARM BOOT	2				
92049	92049-1030	OIL SEAL,26406	2				
92116	92116-1001	BRG,ROLLER,4T30203E1	2				



KZ1300-A4 / TAILLIGHT

FRONT



Illustrations (c) 1966-2003 Kawasaki Motors Corp., U.S.A. All rights reserved.

Illustration (c) 1966-2009 Kawasaki Motors Corp., U.S.A. All rights reserved

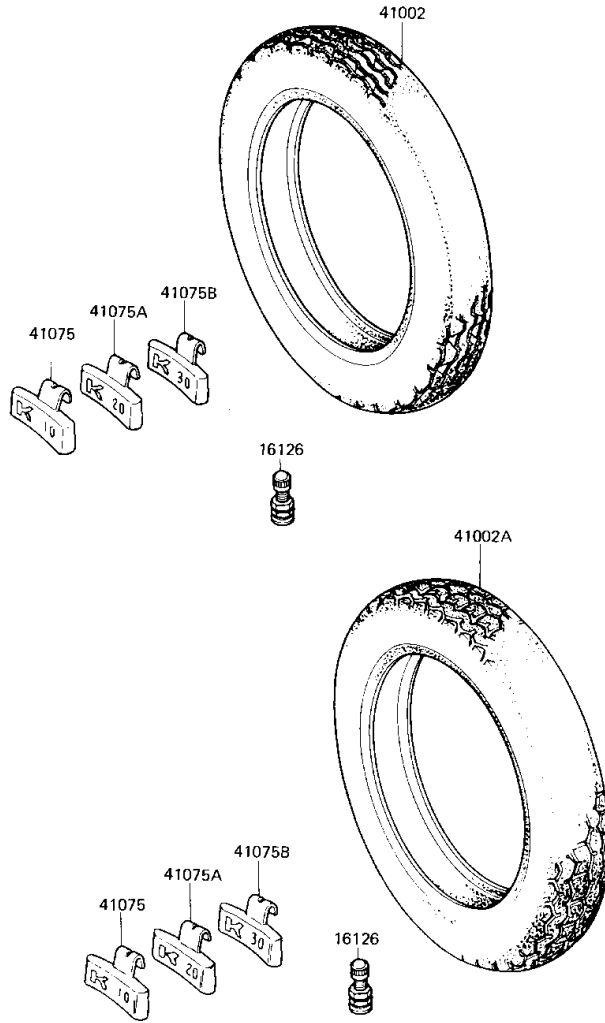
## Part List

KZ1300-A4 / TAILLIGHT

REF NUMBER	PART NUMBER	DESCRIPTION	QUANTITY	US	CA	CN	REMARKS
110	112G0625	BOLT-UPSET	2				
220	220E0445A	SCREW,PAN HEAD,4X45	2				
220A	220B0460	SCREW-PAN-CROS	2				
461	461F0600	WASHER SPRING 6MM	2				
11009	11009-1098	GASKET,TAIL LAMP LENS	1				
23025	23025-1007	LAMP ASSY,TAIL	1				
23026	23026-1004	LENS,TAIL LAMP	1				
23027	23027-1003	BODY,TAIL LAMP	1				
92022	92022-125	WASHER 6.5X20X1.6T	2				
92027	92027-156	COLLAR 6.8X10X14.5	2				
92069	92069-059	BULB,12V 32/3CP	2				
92075	92075-1092	DAMPER RUBBER	2				
92075A	92075-1111	DAMPER RUBBER,TAIL LP	1				

KZ1300-A4 / TIRES

F2210-0066



Illustrations (c) 1966-2003 Kawasaki  
Motors Corp., U.S.A. All rights reserved.

Illustration (c) 1966-2009 Kawasaki Motors Corp., U.S.A. All rights reserved

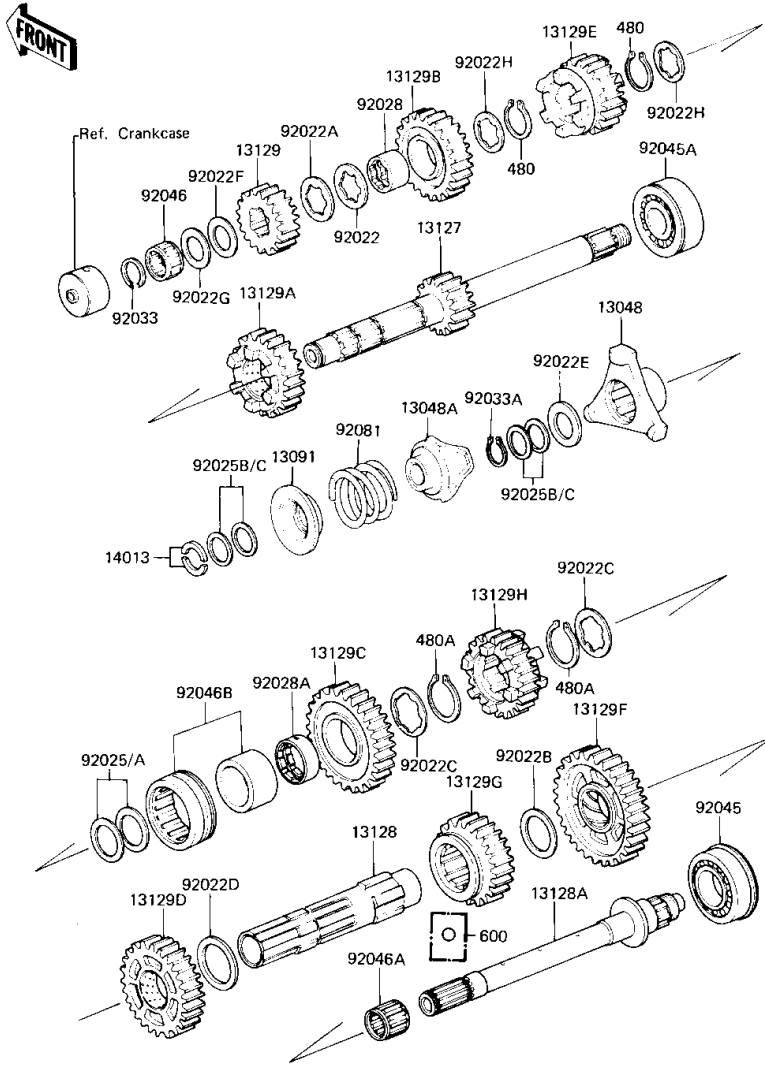
## Part List

KZ1300-A4 / TIRES

REF NUMBER	PART NUMBER	DESCRIPTION	QUANTITY	US	CA	CN	REMARKS
16126	16126-1136	VALVE	2				
41002	41002-1048	TIRE MN90-18 F8 F	1				
41002A	41002-1049	TIRE MT90-17 K100M R	1				
41075	41075-1011	BALANCER-WHEEL,10G	AR				
41075A	41075-1012	BALANCER-WHEEL,20G	AR				
41075B	41075-1013	BALANCER-WHEEL,30G	AR				

KZ1300-A4 / TRANSMISSION

E1361-0066



Illustrations (c) 1966–2003 Kawasaki Motors Corp., U.S.A. All rights reserved.

Illustration (c) 1966-2009 Kawasaki Motors Corp., U.S.A. All rights reserved

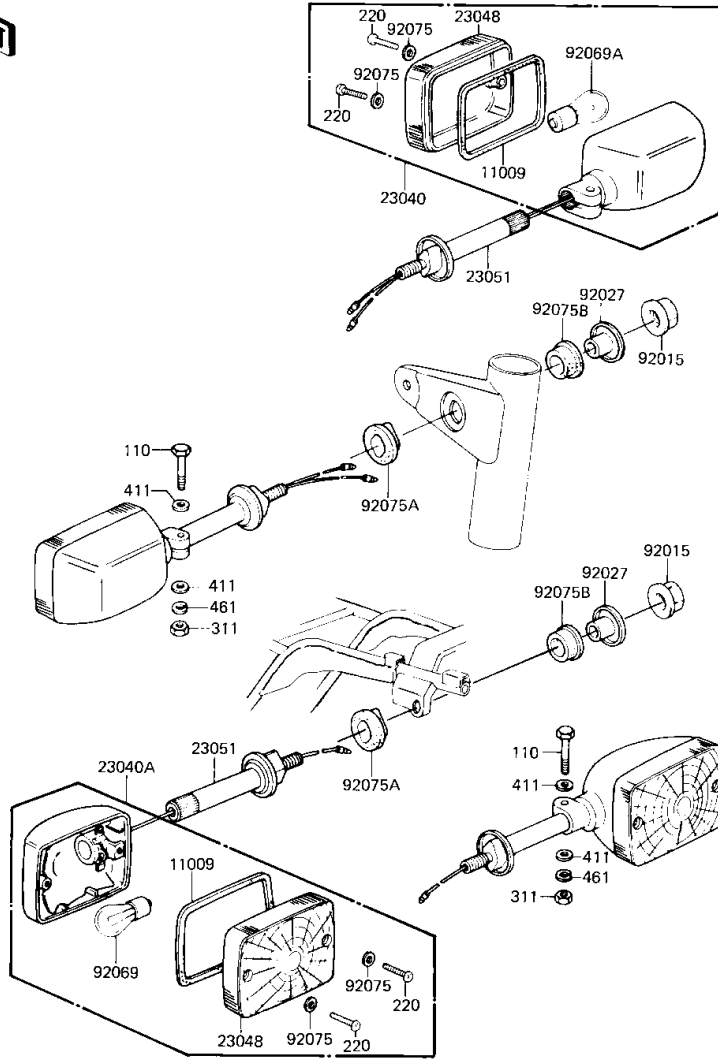
## Part List

KZ1300-A4 / TRANSMISSION

REF NUMBER	PART NUMBER	DESCRIPTION	QUANTITY	US	CA	CN	REMARKS
480	480J2800	CIRCLIP 28MM	2				
480A	480J3600	CIRCLIP,36M/M	2				
600	600A0500	BALL STEEL 5/32'	4				
13048	13048-1010	CAM-DAMPER	1				
13048A	13048-1011	CAM-DAMPER	1				
13091	13091-1091	HOLDER,SPRING	1				
13127	13127-1050	SHAFT-TRANSMISSION IN	1				
13128	13128-1116	SHAFT-OUTPUT,OUTER	1				
13128A	13128-1037	SHAFT,OUTPUT,21/16T	1				
13129	13129-1096	2ND GEAR,DRIVE SHAFT	1				
13129A	13129-1098	4TH GEAR,DRIVE SHAFT	1				
13129B	13129-1592	GEAR-INPUT TOP,29T	1				
13129C	13129-1101	2ND GEAR,DRIVEN SHAFT	1				
13129D	13129-1102	3RD GEAR,DRIVEN SHAFT	1				
13129E	13129-1256	GEAR,INPUT 3RD,25T	1				
13129F	13129-1257	GEAR,OUTPUT LOW,39T	1				
13129G	13129-1258	GEAR,OUTPUT 4TH,29T	1				
13129H	13129-1593	GEAR-OUTPUT TOP,27T	1				
14013	14013-1001	RING,POSITON	2				
92022	92022-1098	WASHER,SPLINED,3.0T	1				
92022A	92022-1099	WASHER,DRIVE TOP GEAR	1				
92022B	92022-1100	WASHER,34.3X44X1.0	1				
92022C	92022-1101	WASHER,SPLINED,1.0T	2				
92022D	92022-1102	WASHER,36.3X46X2.0	1				
92022E	92022-1103	WASHER,23.2X38X3.0	1				
92022F	92026-1020	SPACER (I.D=22 O.D=35	1				
92022G	92022-212	WASHER,PLAIN,22MM	1				
92022H	92024-042	WASHER,THRUST,26MM	2				
92025	92025-1002	SHIM,34.3X42X0.1	AR				
92025A	92025-1003	SHIM,34.3X42X0.3	AR				
92025B	92025-1004	SHIM,23.3X30.7X0.1	AR				
92025C	92025-1005	SHIM,23.3X30.7X0.3	AR				
92028	92028-1302	BUSHING,INPUT TOP GEA	1				
92028A	92028-1303	BUSHING,OUTPUT 2ND GE	1				
92033	92033-025	CIRCLIP,25MM	1				
92033A	92033-1021	CIRCLIP,22.8M/M	1				
92045	92045-1018	BEARING,BALL,#3206	1				
92045A	92045-1028	BEARING,BALL,5305NSH2	1				
92046	92046-031	BEARING,PK223013.8	1				
92046A	92046-1015	BEARING,N,K23X28X24	1				
92046B	92046-1119	BEARING-NEEDLE	1				
92081	92081-1286	SPRING,DAMPER	1				

KZ1300-A4 / TURN SIGNALS

F2730-0081



Illustrations (c) 1966-2003 Kawasaki Motors Corp., U.S.A. All rights reserved.

Illustration (c) 1966-2009 Kawasaki Motors Corp., U.S.A. All rights reserved

## Part List

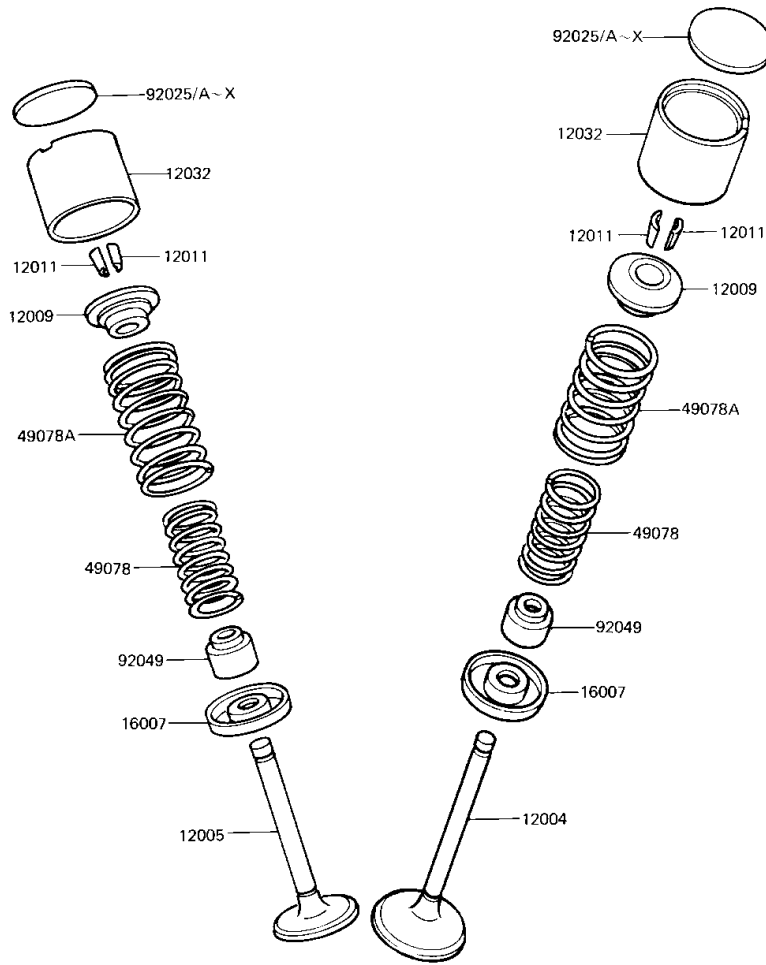
KZ1300-A4 / TURN SIGNALS

REF NUMBER	PART NUMBER	DESCRIPTION	QUANTITY	US	CA	CN	REMARKS
110	112G0630	BOLT-UPSET	4				
220	220E0416A	SCREW,PAN HEAD,4X16	8				
311	311B0600	NUT 6MM	4				
411	411B0600	WASHER PLAIN 6MM	8				
461	461F0600	WASHER SPRING 6MM	4				
11009	11009-1102	GASKET,TURN SIGNAL	4				
23040	23040-1021	LAMP ASSY,TURN SIGNAL	2				
23040A	23040-1022	LAMP,ASSY,TURN SIGNAL	2				
23048	23048-1020	LENS SIGNAL LAMP FR	4				
23051	23051-1023	BRACKET,TURN SIGNAL	4				
92015	92015-1428	NUT,FLANGED,10MM	4				
92027	92027-147	COLLAR	4				
92069	92069-055	BULB 12V 32CP	2				
92069A	92069-060	BULB,12V 23/8W	2				
92075	23058-002	WASHER-PLAIN,4MM	8				
92075A	92075-128	DAMPER RUBBER	4				
92075B	92075-158	DAMPER RUBBER,SIG LM	4				



KZ1300-A4 / VALVES

E1210-0014



Illustrations (c) 1966-2003 Kawasaki  
Motors Corp., U.S.A. All rights reserved.

Illustration (c) 1966-2009 Kawasaki Motors Corp., U.S.A. All rights reserved

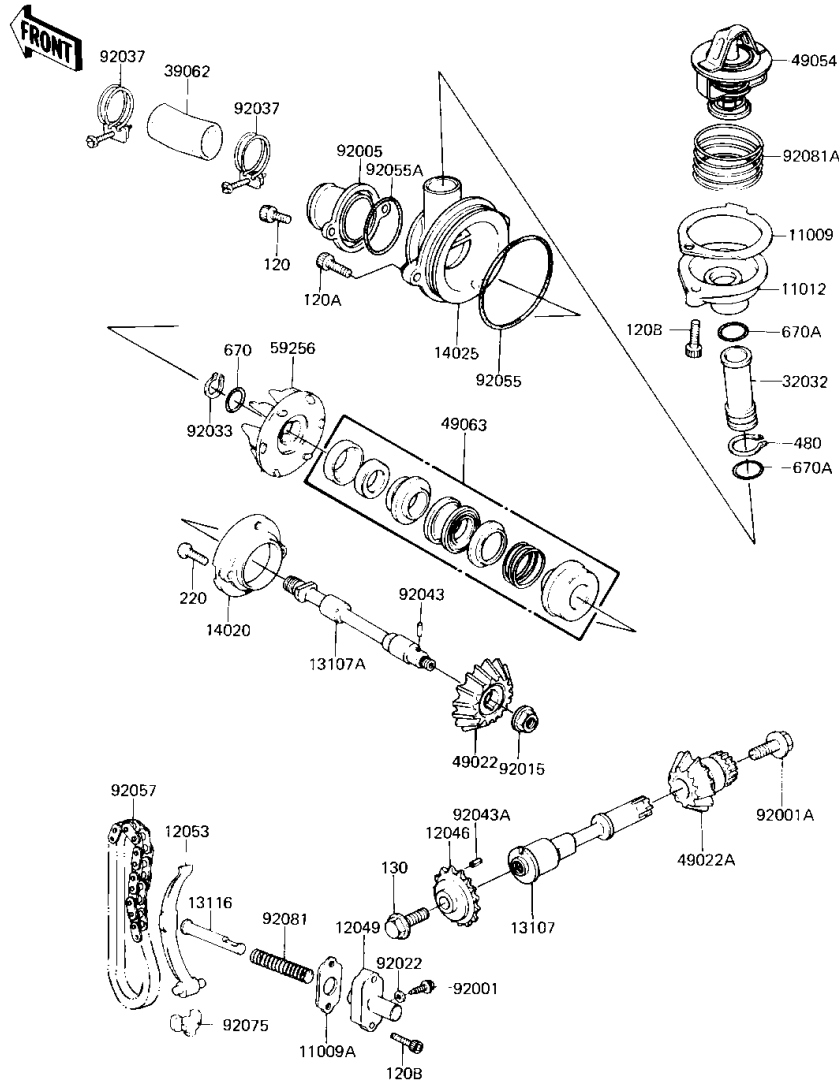
## Part List

KZ1300-A4 / VALVES

REF NUMBER	PART NUMBER	DESCRIPTION	QUANTITY	US	CA	CN	REMARKS
12004	12004-1004	VALVE,INTAKE	6				
12005	12005-1004	VALVE,EXHAUST	6				
12009	12009-005	RETAINER, VALVE SPRING	12				
12011	12011-004	SPLIT KEEPER	24				
12032	12032-1002	TAPPET	12				
16007	16007-1024	SEAT-SPRING,VALVE	12				
49078	12007-011	SPRING,INNER VALVE	12				
49078A	12007-012	SPRING,OUTER VALVE	12				
92025	12037-001	SHIM,TAPPET,2.00T	AR				
92025A	12037-002	SHIM,TAPPET,2.05T	AR				
92025B	12037-003	SHIM,TAPPET,2.10T	AR				
92025C	12037-004	SHIM,TAPPET,2.15T	AR				
92025D	12037-005	SHIM,TAPPET,2.20T	AR				
92025E	12037-006	SHIM,TAPPET,2.25T	AR				
92025F	12037-007	SHIM,TAPPET,2.30T	AR				
92025G	12037-008	SHIM,TAPPET,2.35T	AR				
92025H	12037-009	SHIM,TAPPET,2.40T	AR				
92025I	12037-010	SHIM,TAPPET,2.45T	AR				
92025J	12037-011	SHIM,TAPPET,2.50T	AR				
92025K	12037-012	SHIM,TAPPET,2.55T	AR				
92025L	12037-013	SHIM,TAPPET,2.60T	AR				
92025M	12037-014	SHIM,TAPPET,2.65T	AR				
92025N	12037-015	SHIM,TAPPET,2.70T	AR				
92025O	12037-016	SHIM,TAPPET,2.75T	AR				
92025P	12037-017	SHIM,TAPPET,2.80T	AR				
92025Q	12037-018	SHIM,TAPPET,2.85T	AR				
92025R	12037-019	SHIM,TAPPET,2.90T	AR				
92025S	12037-020	SHIM,TAPPET,2.95T	AR				
92025T	12037-012	SHIM,TAPPET,2.55T	AR				
92025U	12037-022	SHIM,TAPPET,3.05T	AR				
92025V	12037-023	SHIM,TAPPET,3.10T	AR				
92025W	12037-024	SHIM,TAPPET,3.15T	AR				
92025X	12037-025	SHIM,TAPPET 3.20T	AR				
92049	92049-016	OIL SEAL,RV37129.5	12				

KZ1300-A4 / WATER PUMP

E3031-0001



Illustrations (c) 1966-2003 Kawasaki Motors Corp., U.S.A. All rights reserved.

Illustration (c) 1966-2009 Kawasaki Motors Corp., U.S.A. All rights reserved

## Part List

KZ1300-A4 / WATER PUMP

REF NUMBER	PART NUMBER	DESCRIPTION	QUANTITY	US	CA	CN	REMARKS
120	120P0616	BOLT,SOCKET,6X16	2				
120A	120P0620	BOLT,6X20	2				
120B	120P0625	BOLT,6X25	4				
130	130G0820	BOLT,FLANGED,8X20	1				
220	220R0516	SCREW-PAN-CROS	2				
480	480J2000	CIRCLIP, 20MM	1				
670	670B1508	"O" RING,8MM	1				
670A	670B2016	"O" RING,16MM	2				
11009	11009-1087	GASKET,THERMOSTAT CAP	1				
11009A	11009-1099	GASKET,TIMING TENSIONR	1				
11012	11012-1054	CAP,THERMOSTAT	1				
12046	12046-1015	SPROCKET,TIMING CHAIN	1				
12049	12049-1007	TENSIONER,TIMING CHAN	1				
12053	12053-1027	GUIDE,CHAIN,TIMING	1				
13107	13107-1009	SHAFT,WATER PUMP DRIV	1				
13107A	13107-1011	SHAFT,WATER PUMP	1				
13116	13116-1014	ROD,PUSH,TENSIONER	1				
14020	14020-1004	RETAINER,MECHA SEAL	1				
14025	14025-1077	COVER,WATER PUMP	1				
32032	32032-1184	PIPE,WATER BYPASS	1				
39062	39062-1020	HOSE-COOLING	1				
49022	49022-1006	GEAR,BEVEL,WATER PUMP	1				
49022A	49022-1015	GEAR-BEVEL,WATER PUMP	1				
49054	49054-1001	THERMOSTAT	1				
49063	49063-1001	SEAL,MECHANICAL	1				
59256	59256-1001	IMPELLER,WATER PUMP	1				
92001	92001-1155	BELT,TENSIONER ADJUST	1				
92001A	92001-1371	BOLT,FLANGED,8X17	1				
92005	92005-1011	FITTING,SUCTION	1				
92015	92015-1014	NUT,8M/M	1				
92022	92022-077	WASHER OIL PUMP BANJO	1				
92033	92033-1024	CIRCLIP,11M/M,IMPELER	1				
92037	92037-1177	CLAMP,HOSE	2				
92043	92042-014	PIN GEAR CHANGE DRUM	1				
92043A	555A0408	PIN-SPRING,4X8	1				
92055	92055-1032	"O" RING,67MM	1				
92055A	92055-1033	"O" RING,OR2037	1				
92057	92057-1019	CHAIN,TIMING,72L	1				
92075	92075-1187	DAMPER,TIMING CHAIN	1				
92081	92081-1102	SPRING,TENSIONER	1				
92081A	92081-1104	SPRING,THERMOSTAT	1				

Illustration (c) 1966-2009 Kawasaki Motors Corp., U.S.A. All rights reserved